



Micromotor for Laboratory Work

ULTIMATE XL-F

OPERATION MANUAL

Please read this Operation Manual carefully before use,
and file for future reference.



English

NSK

Micromotor for Laboratory Work
ULTIMATE XL-F


OPERATION MANUAL



Thank you very much for purchasing ULTIMATE XL-F.

Please read this Operation Manual carefully regarding the instructions for use, handling method, and maintenance and inspection prior to use and store it in a place where users can review it anytime.

Contents

	IMPORTANT INSTRUCTIONS AND WARNING - Electric Devices	2
1. Component Names		5
2. Set up of Control Unit		6
3. Operation Procedure		7
4. Operation Procedure of Air Turbine (Option)		7
5. Protective Circuit for Motor		7
6. Memory Function		8
7. When Abnormal Conditions Occur		8
8. Replacement of Fuse		8
9. Vacuum-coupled Mode		8
10. Handling of Motor and Handpiece		9
11. Specification		11
12. Troubleshooting		11
13. Disposing Product		12

⚠ IMPORTANT INSTRUCTIONS AND WARNING-Electric Devices

⚠ WARNING

When using electric tools, basic safety precautions should always be followed to reduce the risk of fire, electrical shock and personal injury, including the following. Read all these instructions before operating this product and save these instructions.

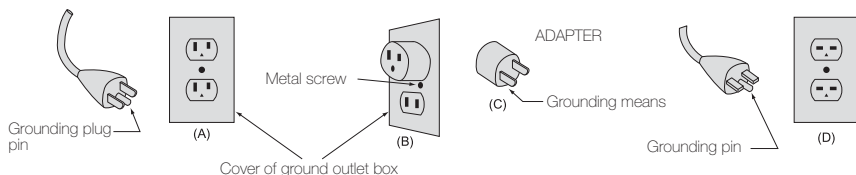
A. GROUNDING INSTRUCTIONS

1. In the event of a malfunction or breakdown, grounding provides a path of least resistance for electric current to reduce the risk of electric shock. This tool is equipped with an electric cord having an equipment-grounding conductor and a grounding plug. The plug must be plugged into a matching outlet that is properly installed and grounded in accordance with all local codes and ordinances.
2. Do not modify the plug provided - if it will not fit the outlet, have the proper outlet installed by a qualified electrician.
3. Improper connection of the equipment-grounding conductor can result in a risk of electric shock. The conductor with insulation having an outer surface that is green with or without yellow stripes is the equipment-grounding conductor. If repair or replacement of the electric cord or plug is necessary, do not connect the equipment grounding conductor to a live terminal.
4. Check with a qualified electrician or service personnel if the grounding instructions are not completely.

Understood, or if in doubt as to whether the tool is properly grounded.

5. Use only 3-wire extension cords that have 3-prong grounding plugs and 3-pole receptacles that accept the tool's plug.
6. This tool is intended for use on a circuit that has an outlet that looks like the one illustrated in Sketch A in Figure (below) (120V). The tool has a grounding plug that looks like the plug illustrated in Sketch A in Figure (below). A temporary adapter, which looks like the adapter illustrated in Sketches B and C, may be used to connect this plug to a 2-pole receptacle as shown in Sketch B if a properly grounded outlet is not available. The temporary adapter should be used only until a properly grounded outlet can be installed by a qualified electrician. The green-colored rigid ear, lug, and the like, extending from the adapter must be connected to a permanent ground such as a properly grounded outlet box.

Grounding Method



7. **USE PROPER EXTENSION CORD.** Make sure your extension cord is in good condition. When using an extension cord, be sure to use one heavy enough to carry the current your product will draw. An undersized cord will cause a drop in line voltage resulting in loss of power and overheating. Table (below) shows the correct size to use depending on cord length and nameplate ampere rating. If in doubt, use the next heavier gauge. The smaller the gauge number, the heavier the cord.
8. Install equipment so that the power supply cord can be pulled out without hindrance in event of emergency. Do not place anything within 10 centimeters around the unit.

Minimum gauge for cord

Ampere Rating		Volts	Total Length of cord			
			7.5m(25ft.)	15m(50ft.)	30m(100ft.)	45m(150ft.)
		120V	7.5m(25ft.)	15m(50ft.)	30m(100ft.)	45m(150ft.)
		240V	15m(50ft.)	30m(100ft.)	60m(200ft.)	90m(300ft.)
More Than	Not More Than	Cord Number				
0	6	#18	#16	#16	#14	#12
6	10	#18	#16	#14	#12	#10
10	12	#16	#16	#14	#12	#10
12	16	#14	#12	Not Recommended		

B. OTHER WARNING INSTRUCTIONS

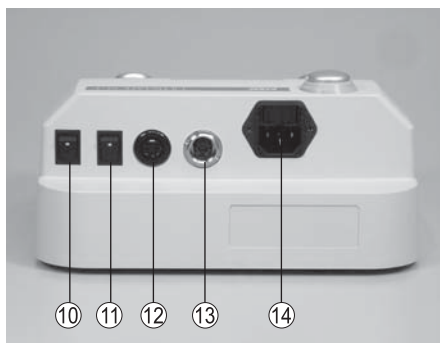
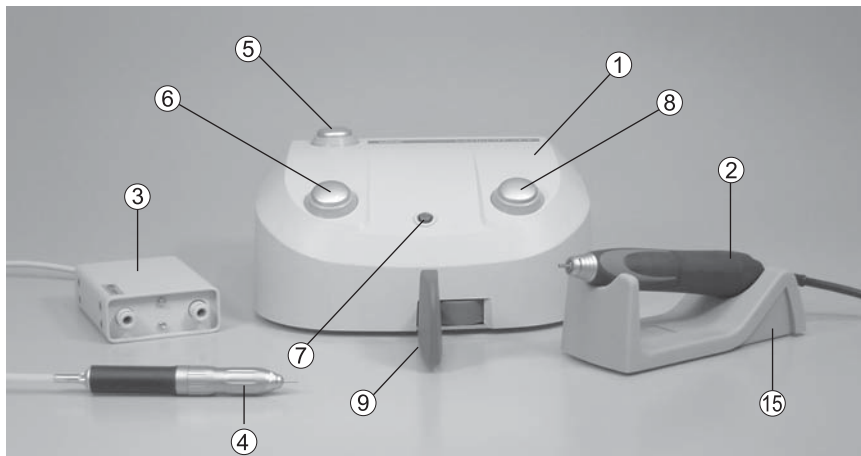
- For your own safety read instruction manual before operating tool.
- Wear eye protection.
- Replace cracked wheel immediately.
- Always use guards and eye shields.
- Do not over tighten wheel nut.
- Use only flanges furnished with the grinder.
- **REMOVE ADJUSTING KEYS AND WRENCHES.** From habit of checking to see that keys and adjusting wrenches are removed from tool before turning it on.
- **KEEP WORK AREA CLEAN.** Cluttered areas and benches invite accidents.
- **DON'T USE IN DANGEROUS ENVIRONMENT.** Don't use power tools in damp or wet locations, or expose them to rain. Keep work area well lighted.
- Risk of injury due accidental starting. Do not use in an area where children may be present.
- **DON'T FORCE TOOL.** It will do the job better and safer at the rate for which it was designed.
- **USE RIGHT TOOL.** Don't force tool or attachment to do a job for which it was not designed.
- **WEAR PROPER APPAREL.** Do not wear loose clothing, gloves, neckties, rings, bracelets, or other jewelry that might get caught in moving parts. Nonslip footwear is recommended. Wear protective hair covering to contain long hair.
- **ALWAYS USE SAFETY GLASSES.** Everyday eyeglasses only have impact resistant lenses, they are NOT safety glasses. Also use face or dust mask if cutting operation is dusty.

- **SECURE WORK.** Use clamps or a vise to hold work when practical. It's safer than using your hand and it frees both hands to operate tool.
- **MAINTAIN TOOLS WITH CARE.** Keep tools sharp and clean for best performance and to reduce the risk of injury to persons. Follow instructions for lubricating and changing accessories.
- **DISCONNECT TOOLS** before servicing; when changing accessories, such as blades, bits, cutters, and like.
- **REDUCE THE RISK OF UNINTENTIONAL STARTING.** Make sure switch is in off position before plugging in.
- **USE RECOMMENDED ACCESSORIES.** Consult the owner's manual for recommended accessories. The use of improper accessories may cause risk of injury to persons.
- **NEVER LEAVE TOOL RUNNING UNATTENDED. TURN POWER OFF.** Don't leave tool until it comes to a complete stop.
- For recommended operating speed for various applications, please follow the instructions of bur manufacturers.
- The system functions normally in the environment where the temperature is at 0-40°C, humidity at 10-85% RH and no moisture condensation in the Unit. Use at outside of these limits may cause malfunction.
- Store the system in the place where the temperature is at -10-60°C, humidity at 10-85% RH, atmospheric pressure at 500-1060hPa, and the system is not subject to air with dust, sulfur, or salinity.
- Severe shock – Eg. Dropping Control Unit, or the Micromoto – may cause damage.
- Never move Chuck Control Ring to the direction of LOOSEN while motor is running.
- Activation of Circuit Breaker means too much load is applied to the motor beyond the capacity the motor takes. This circuit breaker is designed to protect the motor, but it is desired to perform the grinding work without activating the circuit breaker.
- Care should be taken not to drop micromotor handpiece on floor or hard work surface in order to avoid damage caused by impact shock.
- Do not disassemble or alter the product by yourself.
- Be careful not to be injured by the grinder or bur.
- Be sure to replace fuse with the correct type and rating.

C. Important Instructions and Warning on ULTIMATE XL-F.

- No lubrication is required to either motor or handpiece because ball bearings impregnated with grease in both motor and handpiece.
- Only use with original power supply cord. In case of damage, contact NSK / Nakanishi servicing center.
- Equipment to be send back to manufacturer for servicing / repair.

1. Component Names



- ① Control Unit
- ② Motor Handpiece
- ③ Turbine Adapter (option)
- ④ Air Turbine (option)
- ⑤ Main Switch
- ⑥ Turbine / Motor Selector Switch
- ⑦ Power Indicator
- ⑧ Forward / Reverse Selector Switch
- ⑨ Speed Control Pedal
- ⑩ Maximum Engine Speed Setting Switch
- ⑪ Auto Cruise Switch
- ⑫ Turbine Adapter Connector
- ⑬ Motor Connector
- ⑭ Fuse Box
- ⑮ Handpiece Stand

2. Set up of Control Unit

(1) Mounting of Motor

Insert the motor cord plug locator into ⑬ Motor Connector aligning it with the groove of the connector, and tighten the motor cord plug nut to fix. (Fig. 1)



Fig. 1

(2) Connecting of Power Cord

Securely insert the plug of Power Cord in to Connector Box at the back of the unit aligning it with the configuration. (Fig. 2)



Fig. 2

(3) Mounting of the Air Turbine (option)

Insert the plug of the ③ Turbine Adapter into the ⑫ Turbine Adapter Connector at the back of the unit. (Fig. 3)

Insert two hoses from the ③ Turbine Adapter into the openings for foot pedal connection in the air line kit. (Fig. 4)

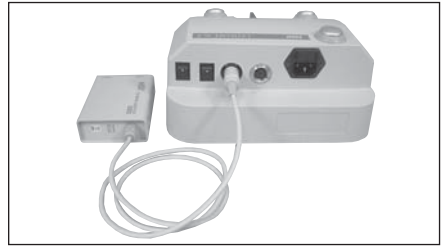
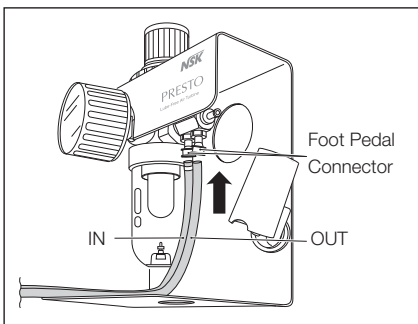


Fig. 3



Foot Pedal Connector

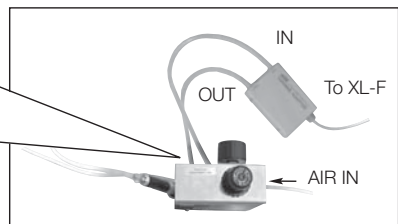


Fig. 4

3. Operation Procedure

- ① Connect the power cord to connector.
- ② Preset the maximum rotation speed with the Maximum Engine Speed Setting Switch (ON : 40,000min⁻¹ (rpm), OFF : 30,000 min⁻¹(rpm).
- ③ Select ⑪Auto cruise or Variable by the Auto Cruise Switch.
- ④ Turn the ⑤Main Switch on, and the ⑦Power Indicator lamps.
- ⑤ Push the ⑨Speed Control Pedal right to run the motor. The rotation speed can be variably controlled within the preset maximum rotation speed range according to the degree of depression of the Speed Control Pedal.
- ⑥ Each time Forward/Reverse Selector Switch is depressed, the direction changes between ⑧FORWARD and REVERSE

※Auto cruise mechanism

To run the motor at a fixed speed without pushing the ⑨Speed Control Pedal, push the ⑪ Auto Cruise Switch to “Auto” and keep on pushing the ⑨Speed Control Pedal for a second at a proper speed. Push the pedal again to cancel it, (if it is unnecessary, turn the ⑪ Auto Cruise Switch off).

4. Operation Procedure of Air Turbine (Option)

- ① Each time the Motor/Turbine Selector Switch is pressed, the motor and turbine change by turns.
- ※ In case of no turbine, nothing changes except beeps.
- ② • When Auto cruise mechanism is OFF:
Push the ⑨Speed Control Pedal, and the turbine rotates. Stop pushing the pedal, and the turbine stops.
- When Auto cruise mechanism is ON:
Push the ⑨Speed Control Pedal for a second, and the turbine continues to move even if the pedal is not pushed. Push the pedal again to cancel it.
- ※ Even if ⑧ Forward/Reverse Selector Switch is pushed while using the air turbine, it will be neglected only with the beeps of electronic sounds.
- ③ Push the ⑥ Motor/Turbine Selector Switch again, and the motor will be available.

5. Protective Circuit for Motor

When the motor is operated with a load exceeding the limit or the handpiece is in an unrotatable condition, the circuit to protect the motor and unit operates to stop the power supply to the motor, whereby the ⑦Power Indicator goes on and off.

How to reset the protective circuit

It can be reset by depressing the ⑨Speed Control Pedal again after eliminating the cause of the error.

6. Memory Function

When the main switch is turned on, the rotation direction and the Motor/Turbine selections made when the main switch was last turned off are restored. Special attention should be given to the rotation direction.

7. When Abnormal Conditions Occur

When problems connected with the motor or unit occurs, the ⑦ power supply to the motor will stop and the power indicator flashes. Unlike being stopped by the protection circuit, the motor will not start even when the pedal is depressed. If such a problem occurs, please ask for repair service.

8. Replacement of Fuse

Fuse is located in ⑭ Fuse Box . Release ratchet clamp located on the right-and-left the Fuse Box and pull it out to change the fuse. (Fig.5)



Fig.5

When the fuse come down, Insert new fuses into the fuse box and then push the fuse box into the original position until hearing a sound click.

※ Fuse: Order Code (120V) : 1202225010 (T2.5AH 250V)

※ Fuse: Order Code (230V) : 1202216010 (T1.6AH 250V)



CAUTION

Fuse is burned out when a short circuit occurs or when over-voltage is flowed into the primary current source. If the cause is uncertain, return the product to an authorized NSK's service shop for inspection.

9. Vacuum-coupled Mode

On some dental tables with vacuum dust collector, the motor may be used while being coupled with a dust collector. When such a dust collector * is used, power consumption of ULTIMATE XL-F can be regulated so that the vacuum-coupled function can work. If you need coupling with a vacuum dust collector, select the mode as follows:

How to select the mode

While pressing ⑧ Forward / Reverse Selector Switch, turn on ⑤ Main Switch, and the mode can be selected. A long beep indicates vacuum-coupled mode and 2 short beeps indicate non-coupled (energy-saving) mode.

* Each time the switch selection is made, the mode changes between vacuum-coupled mode and non-coupled mode.

* A currently known dust collector is KAVO EWL-560.

10. Handling of Motor and Handpiece

(1) Insertion or Removal of Bur

The chuck is opened by turning the Bur Lock Ring to an open position. The chuck is loosened and the bur can be removed. By turning the ring in the LOCK direction, the chuck is closed and the bur can be mounted. At this time, turn the ring until it clicks. (Fig. 6)

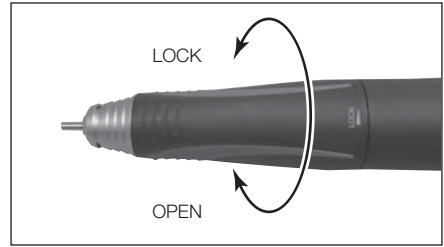


Fig. 6



CAUTION

- Do not turn the Ring during rotation.
- Do not turn a motor, when it has not attached bur or the Ring Open position. It may be reasons for the failure or overheating of the handpiece.

(2) Cleaning and Replacement of Chuck

(1) Removal of Chuck

To remove the chuck, open the ring and turn the chuck counterclockwise with the provided spanner wrench. (Fig. 7)

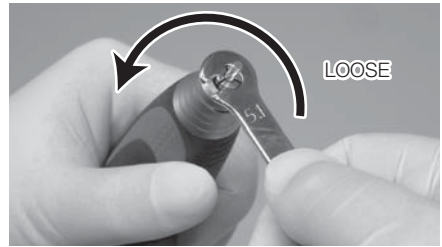


Fig. 7

※ If a bur having a large diameter of a cutting part is used under a high torque, the chuck may rotate in the close direction and the bur may be stuck and cannot be removed. In this case, align the nose's slit and spindle's spanner position (flat part), and apply an L spanner to fix the spindle. Open the ring and turn the chuck counterclockwise with the provided spanner wrench to remove it. (Fig.8)

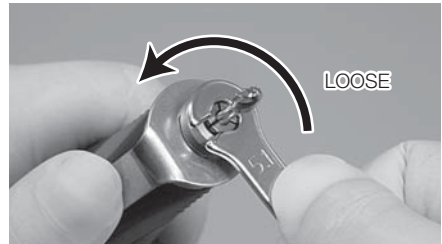


Fig. 8

(2) Cleaning of Chuck

To keep accuracy for the Chuck remove and clean the chuck as frequently as possible in the ultrasonic cleaner. Clean at least once a week.



CAUTION

Neglecting to clean the chuck for a long time is very dangerous because wax, gypsum, etc., accumulate in the chuck and the bur is caught insecurely, causing runout.

(3) Insertion of Chuck

Thinly apply oil before insertion. Open the ring, insert the dummy bur or the bur in use into the chuck, and turn the chuck clockwise by hand until it stops. Then, lock the ring, and the chuck could hold the bur securely.

(Fig. 9)

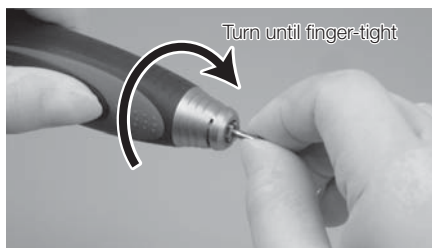


Fig. 9

CAUTION

Before using the handpiece, make sure to pull the rotating instrument (bur, etc.) to check that it is securely mounted.

(3) Disconnecting and Connecting of Motor Cord to Motor

Remove the cord nut at the rear end of the motor, and the motor cord connector can be pulled out. For connection, align the connector pin and the hole in the motor cord connector, and insert the connector straight until it stops. Then, tighten the cord nut.(Fig.10)

※When inserting the connector, do not turn or twist it.



Fig. 10

(4) Disconnecting Handpiece from Motor

The handpiece and motor are screwed at the midpoint. Firmly grasp the motor outer case and the handpiece outer case and turn it counterclockwise to disconnect. (Fig. 11).



Fig. 11

CAUTION for Handpiece connection

When connecting the handpiece to the motor, turn the handpiece clockwise and tighten firmly. If the clutch is not engaged properly, the handpiece cannot be tightened completely. In such case, Do Not Force. Loosen the handpiece and turn the bur briefly to re-position the drive dog. Reconnect the handpiece and tighten securely. (Fig. 12)

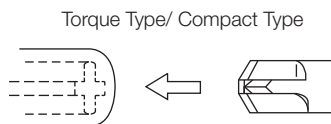


Fig. 12

11. Specification

Control Unit

Model	NE230
Power supply	AC120V 50/60 Hz 46VA AC230V 50/60 Hz 46VA
Rated Power	46VA
Weight	3.8kg
Dimensions	W230x D292x H113mm

Handpiece Stand

Model	Handpiece Stand
Weight	120g

Motor Handpiece

1) Torque Type

Model	UMXL-T(P) / UMXL-T(P) 2M
Speed	1,000~40,000 min ⁻¹
Max. Torque	8.7 N · cm
Weight	215g (exclude the cord)
Dimensions	L151x ø 29mm
Cord Length	2.0m

2) Compact Type

Model	UMXL-C 2M
Speed	1,000~40,000 min ⁻¹
Max. Torque	6 N · cm
Weight	181g (exclude the cord)
Dimensions	L144 x ø27mm
Cord Length	2.0m

12. Troubleshooting

Please check the following points before sending back instruments for repair.

(Unit / Motor)

Trouble		Cause/Check	Remedy
The Power Indicator does not light up.		Check that the power plug is connected.	Insert the power plug correctly.
		Check that the fuse has not burnt out.	Replace it with a specified fuse. If the reason the fuse has blown is unknown, ask for an inspection.
		Check the power switch for malfunction.	Ask for repair.
The motor and handpiece do not run. The power indicator flashes.	The power indicator flashes when the pedal is depressed.	The power indicator soon starts flashing even though the pedal is depressed.	If the signal from the motor is not transmitted to the unit, a problem will occur. Check the motor cord again to determine if it is damaged and is connected correctly. If the motor cord is damaged or the cause is not determined, please ask for repair service.
		The motor handpiece sometimes starts turning if the pedal is depressed several times.	The trouble could be from the brake circuit. Please ask for repair service.
		The motor handpiece starts turning immediately when the pedal is depressed.	The problem could be due to the excess current in the detection of the circuit. Stop operating the motor for a while.

(Unit / Motor)

Trouble		Cause/Check	Remedy
The motor and handpiece do not run. The power indicator flashes.	The power indicator flashed in 5 to 6 seconds after depressing the pedal.	Check that the chuck ON/OFF ring is not open.	Set the chuck ON/OFF ring to the LOCK position.
		Try to turn the bur with your finger.	If the bur does not turn, it will affect the motor or handpiece. Please ask for repair service.
	The motor handpiece comes to a stop under a heavy load.	It returns to normal immediately if tried again.	The protection circuit is started. The motor must not be used to activate the protection circuit.
	The power indicator remains flashing even when the power is switched on again.	The unit is hot to touch.	Start the unit again after stopping operation and letting it cool for 10 minutes. Check the operation of the unit, and if it operates normally, there is no problem.
The unit is not hot to touch.		There is a malfunction in the internal memory. Please ask for repair service.	

(Handpiece)

Trouble	Cause/Check	Remedy
The handpiece does not run with the chuck tightened.	Entry of foreign matter in the ball bearings or seizure.	Send it to your dealer. Ask for repair.
Heat is generated during rotation.	Entry of foreign matter in the ball bearings, causing wear of the bearings.	Same as the above.
Vibration or noise occurs during rotation.	Same as the above.	Same as the above.
	A bent bur is used.	Replace the bur.
Runout of the bur is heavy.	Dust may be stuck in the chuck or spindle.	Clean the inside of the chuck and spindle.
	The chuck is worn.	Replace the chuck.
	The ball bearings are worn.	Send it to your dealer.
The bur comes out	The chuck is loose.	Tighten the chuck securely. (See 10. Handling of Motor and Handpiece.)

13. Disposing Product

Please consult with dealer from whom you purchased it about waste disposal.

Deutsch

NSK

Labor-Mikromotor


ULTIMATE XL-F

BEDIENUNGSANLEITUNG



Vielen Dank, dass Sie sich für den Kauf des ULTIMATE XL-F entschieden haben. Bitte lesen Sie die Anweisungen zur Bedienung, Pflege und Wartung in diesem Handbuch vor der Inbetriebnahme sorgfältig durch. Bewahren Sie dieses Bedienungshandbuch für spätere Verwendung auf.

Inhalt

	WICHTIGE ANWEISUNGEN UND WARNUNG – Elektronische Geräte	16
1. Namen der Komponenten		19
2. Einrichten der Steuereinheit		20
3. Betriebsverfahren		21
4. Betriebsverfahren der Luftturbine (Option)		21
5. Schutzschaltkreis		21
6. Memory-Funktion		22
7. Wenn abnormale Bedingungen auftreten		22
8. Auswechseln der Sicherung		22
9. Kupplung an Absaugung		22
10. Handhabung von Motor und Handstück		23
11. Technische Daten		25
12. Fehlerbehebung		26
13. Entsorgung des Produktes		27

⚠️ WICHTIGE ANWEISUNGEN UND WARNUNG – Elektronische Geräte



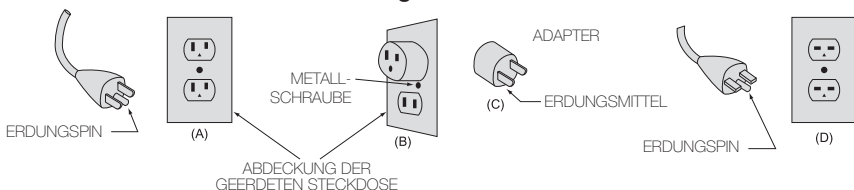
WARNUNG

Bei der Verwendung elektrischer Geräte sollten stets einige grundsätzliche Vorsichtsmaßnahmen befolgt werden, um die Gefahr von Feuer, Stromschlag und eigenen Verletzungen zu reduzieren. Dazu gehören die nachfolgenden Maßnahmen. Lesen Sie alle diese Anweisungen vor dem Betrieb dieses Produkts durch und bewahren Sie sie auf.

A. ERDUNGSANWEISUNGEN

1. Im Falle einer Fehlfunktion oder eines Ausfalls bietet die Erdung einen Weg des geringsten Widerstands für den elektrischen Strom, um die Gefahr eines Stromschlags zu reduzieren. Dieses Gerät ist mit einem Stromkabel ausgestattet, das einen Erdungsleiter und einen geerdeten Stecker besitzt. Der Stecker muss in eine passende Steckdose gesteckt werden, die korrekt installiert und entsprechend aller geltenden Vorschriften geerdet ist.
2. Den mitgelieferten Stecker nicht verändern – wenn er nicht in die Steckdose passt, lassen Sie die richtige Steckdose von einem qualifizierten Elektriker installieren.
3. Unsachgemäßer Anschluss des Erdungsleiters kann zur Gefahr eines Stromschlags führen. Der Leiter mit einer grünen oder grün-gelb gestreiften Isolierung ist der Erdungsleiter. Wenn eine Reparatur oder ein Austausch von Stromkabel oder Stecker erforderlich ist, den Erdungsleiter nicht an einen stromführenden Pol anschließen.
4. Überprüfen Sie die korrekte Erdung des Geräts zusammen mit einem qualifizierten Techniker oder Kundendienstmonteur, wenn Sie die Erdungsanweisungen nicht vollständig verstanden haben oder im Zweifel darüber sind.
5. Nur dreiadriges Verlängerungskabel verwenden, die dreizinkige Erdungsstecker und die richtigen Buchsen für den Stecker des Geräts haben.
6. Dieses Gerät ist zur Verwendung an einem Stromkreis vorgesehen, der eine Steckdose wie in Zeichnung A (unten) besitzt (120 V). Das Gerät besitzt einen Stecker wie in Zeichnung A (unten). Ein provisorischer Adapter, wie unten in den Zeichnungen B und C dargestellt, kann verwendet werden, um diesen Stecker mit einer zweipoligen Dose zu verbinden, wie in Zeichnung B zu sehen, wenn keine korrekt geerdete Steckdose zur Verfügung steht. Der provisorische Adapter sollte nur so lange verwendet werden, bis eine korrekt geerdete Steckdose von einem qualifizierten Elektriker installiert werden kann. Das grüne, starre Öhr, der Zapfen und andere Vorsprünge des Adapters müssen an eine permanente Erdung wie beispielsweise eine korrekt geerdete Steckdose angeschlossen werden.

Erdungsmethode



7. Platzieren Sie die Anlage so, das im Storfal, die Stromversorgung einfach zu Unterbrechen ist. Mindestens 10cm Platz um das Gerät herum frei lassen.

Ampere-Einstufung		Volts	Gesamtlänge des Kabels			
		120V	7,5m(25ft.)	15m(50ft.)	30m(100ft.)	45m(150ft.)
		240V	15m(50ft.)	30m(100ft.)	60m(200ft.)	90m(300ft.)
Mehr als	Nicht mehr als	Kales Zahl				
0	6	#18	#16	#16	#14	
6	10	#18	#16	#14	#12	
10	12	#16	#16	#14	#12	
12	16	#14	#12	Nicht empfohlen		

B. WEITERE WARNHINWEISE

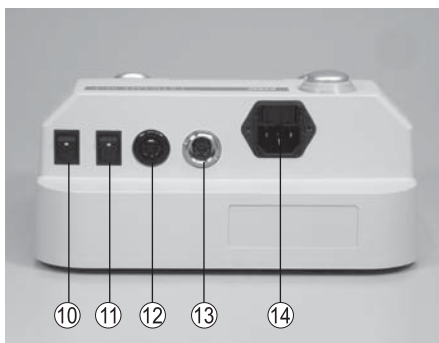
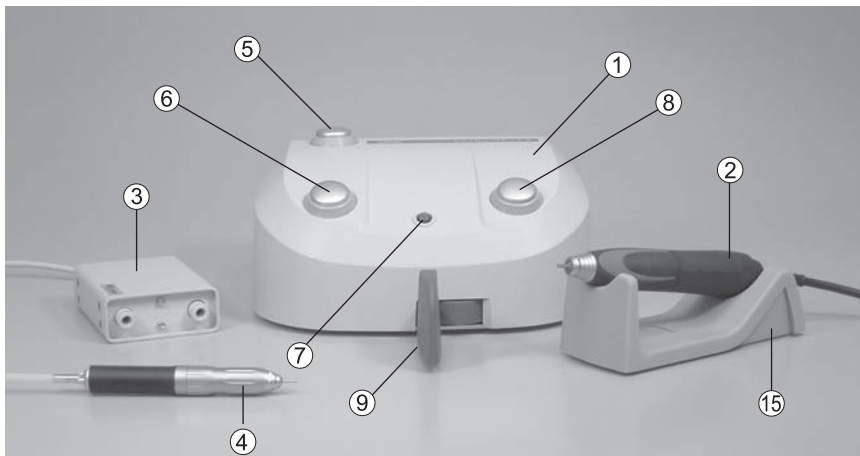
- Lesen Sie zu Ihrer eigenen Sicherheit vor der Verwendung des Geräts die Bedienungsanleitung durch.
- Augenschutz tragen.
- Gebrochenen Schleifkörper sofort ersetzen.
- Immer Schutzvorrichtung und Augenschutz verwenden.
- Schleifscheiben nicht zu stark anziehen.
- Nur mit dem Schleifer mitgelieferte Scheiben verwenden.
- **SCHRAUBENSCHLÜSSEL UND EINSTELLWERKZEUGE ENTFERNEN.** Überprüfen Sie grundsätzlich immer, ob alle Einstellwerkzeuge und Schraubenschlüssel entfernt sind, bevor Sie das Gerät einschalten.
- **ARBEITSBEREICH SAUBER HALTEN.** Unaufgeräumte Arbeitsbereiche und Werkbänke provozieren Unfälle.
- **NICHT IN GEFÄHRLICHER UMGEBUNG VERWENDEN.** Elektrische Geräte nicht an feuchten oder nassen Orten verwenden oder sie dem Regen aussetzen. Für eine gute Beleuchtung des Arbeitsfeldes sorgen.
- Verletzungsgefahr durch unbeabsichtigtes Starten. Nicht in Bereichen verwenden, in denen sich Kinder aufhalten Können
- **GERÄT NICHT ÜBERBEANSPRUCHEN.** Es macht seine Arbeit besser und sicherer bei der Drehzahl, für die es entwickelt wurde.
- **RICHTIGES WERKZEUG VERWENDEN.** Werkzeug oder Zubehörteil nicht zwingen, etwas zu machen, wofür es nicht geeignet ist.
- **ZWECKMÄSSIGE KLEIDUNG TRAGEN.** Keine losen Kleidungsstücke, Handschuhe, Halstücher, Ringe, Armbänder oder anderen Schmuck tragen, der von beweglichen Teilen erfasst werden könnte. Rutschfestes Schuhwerk wird empfohlen. Bei langen Haaren schützende Abdeckung tragen.
- **IMMER SICHERHEITSBRILLEN VERWENDEN.** Normale Brillen haben nur schlagresistente Gläser und sind KEINE Sicherheitsbrillen. Auch Gesichts- oder Staubmaske tragen, wenn das Schleifen mit Staubentwicklung verbunden ist.

- **WERKSTÜCK SICHERN.** Verwenden Sie Klemmen oder einen Schraubstock, um das Werkstück zu halten, wann immer dies möglich ist. Das ist sicherer als Ihre Hand und macht beide Hände frei für die Bedienung des Geräts.
- **WERKZEUGE SORGFÄLTIG PFLEGEN.** Werkzeuge scharf und sauber halten, für optimale Leistung und Verringerung des Verletzungsrisikos für Personen. Die Anweisungen zum Schmieren und Auswechseln von Zubehörteilen befolgen
- **WERKZEUGE vor Wartungsarbeiten und Austausch von Zubehörteilen HERAUSNEHMEN,** wie beispielsweise Klingen, Bohreinsätze, Schneider und ähnliches.
- **GEFAHR EINES UNBEABSICHTIGTEN STARTENS REDUZIEREN.** Sicherstellen, dass der Schalter aus ist, bevor Sie das Gerät einstecken.
- **EMPFOHLENE ZUBEHÖRTEILE VERWENDEN.** Empfohlene Zubehörteile finden Sie im Benutzerhandbuch. Die Verwendung ungeeigneter Zubehörteile kann ein Verletzungsrisiko für Personen darstellen.
- **NIEMALS LAUFENDES GERÄT UNBEAUF SICHTIGT LASSEN. AUSSCHALTEN.** Gerät nicht verlassen, bevor es zu völligem Stillstand gekommen ist.
- Hinsichtlich der empfohlenen Drehzahlen für verschiedene Anwendungen bitte die Anweisungen des Bohrerherstellers befolgen.
- Das System funktioniert normal bei Umgebungsbedingungen mit einer Temperatur von 10–40 °C (50–104 °F), einer Luftfeuchtigkeit von 10–85 % RH und ohne Feuchtigkeitskondensation im Steuergerät. Eine Verwendung außerhalb dieser Grenzwerte kann eine Fehlfunktion verursachen.
- Die Aktivierung des Unterbrechers bedeutet, dass der Motor zu stark belastet wird, über seine Kapazität hinaus.
- Der Unterbrecher dient zum Schutz des Motors, doch sollte die Arbeit stets so durchgeführt werden, dass der Unterbrecher nicht aktiviert wird.
- Die Spannzangenverriegelung nicht drehen, während das Handstück sich dreht.
- Den Motor nicht laufen lassen, wenn der Bohrerverschlussring in der Stellung OFFEN ist oder wenn kein Bohrer in der Spannzange montiert ist. Dies könnte zum Lösen des Handstücks vom Motor oder plötzlicher Hitzeentwicklung führen.
- Darauf achten, das MikroMotorhandstück nicht auf den Fußboden oder auf eine harte Fläche fallen zu lassen, um eine Beschädigung durch den Aufprall zu vermeiden.
- Versuchen Sie nicht, das Produkt auseinanderzubauen oder zu verändern.
- Achten Sie darauf, sich nicht am Schleifer oder dem Bohrer zu verletzen.
- Achten Sie auf das korrekte Modell und die korrekte Leistung, wenn Sie die Sicherung ersetzen.

C. Wichtige Anweisungen und Warnhinweise für ULTIMATE XL-F.

- Weder Motor noch Handstück erfordern eine Schmierung, da die Kugellager beider Komponenten mit Schmierfett imprägniert sind.
- Verwenden Sie ausschließlich das Original-Netzkabel. Falls dieses beschädigt ist, nehmen Sie Kontakt auf mit dem NSK / Nakanishi Service Center.
- Senden Sie das Gerät zur Wartung / Reparatur zurück zum Hersteller.

1. Namen der Komponenten



- ① Steuereinheit
- ② Motorhandstück
- ③ Turbinenadapter (Option)
- ④ Luftturbine (Option)
- ⑤ Hauptschalter
- ⑥ Drehzahlknopf
- ⑦ Leistungsanzeige
- ⑧ Wahlschalter Vorwärts/Rückwärts
- ⑨ Drehzahlsteuerungspedal
- ⑩ Einstellschalter maximale
- ⑪ Tempomat
- ⑫ Anschluss
- ⑬ Motor
- ⑭ Netzeingang
- ⑮ Handstückablage

2. Einrichten der Steuereinheit

(1) Montage des Motors

Stecken Sie den Motorkabelstecker nach Ausrichten mit der Kerbe in den ⑬ Motor und fixieren sie ihn durch Anziehen der Überwurfmutter des Kabelsteckers (Abb. 1).



Abb. 1

(2) Anschließen des Netzkabels

Stecken Sie den Netzkabelstecker nach Ausrichtung entsprechend der Form fest in den ⑭ Netzeingang auf der Rückseite der Einheit (Abb. 2).



Abb. 2

(3) Montage der Luftturbine (Option)

Stecker des ⑮ Turbinenadapters in in ⑯ Turbinenadapteranschluss auf der Rückseite der Einheit stecken (Abb. 3). Die beiden Schläuche des ⑮ Turbinenadapters in die Öffnungen für den Fußpedalanschluss im LuftleitungsKit stecken (Abb. 4).

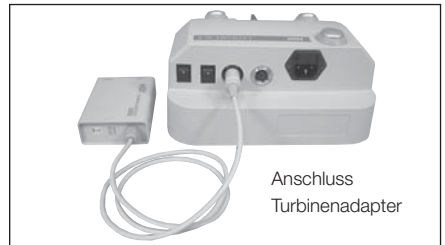
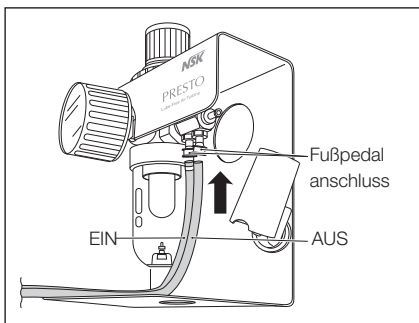


Abb. 3



Fußpedalanschluss

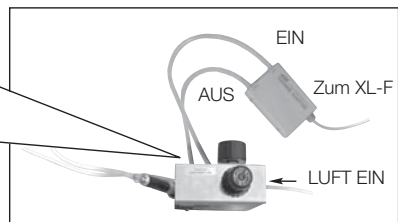


Abb. 4

3. Betriebsverfahren

- ① Netzkabelstecker an Steckdose anschließen.
- ② PWählen Sie die Voreinstellung für die maximale Drehzahl mit dem ⑩ Einstellschalter maximale
- ③ Wählen Sie Automatik oder Variabel mit dem ⑪ Automatik-Schalter
- ④ Schalten Sie den ⑤ Hauptschalter ein und die Netzanzeige ⑦ Leuchtet.
- ⑤ Drücken Sie das ⑨ Drehzahlsteuerungspedal nach rechts, um den ⑬ Motor laufen zu lassen. Die Drehzahl kann variabel innerhalb des voreingestellten Maximalbereichs durch unterschiedliches Eindrücken des ⑨ Drehzahlsteuerungspedals gesteuert werden
- ⑥ Bei jedem Drücken des ⑧ Wahlschalter Vorwärts/Rückwärts ändert sich die Richtung zwischen VORWÄRTS und RÜCKWÄRTS.
- ※ Drehzahlautomatik
Um den Motor ohne Drücken des ⑨ Drehzahlsteuerungspedals mit einer festen Drehzahl laufen zu lassen, drücken Sie den ⑪ Automatik-Schalter auf „Auto“ und halten das ⑨ Drehzahlsteuerungspedal eine Sekunde lang bei der gewünschten Drehzahl gedrückt. Drücken Sie das Pedal nochmals, um den Vorgang abzubrechen (falls nicht benötigt, schalten Sie den ⑪ Automatik-Schalter aus).

4. Betriebsverfahren der Luftpumpe (Option)

- ① Jedes Mal, wenn der Wahlschalter Motor/Turbine gedrückt wird, ändert sich die Einstellung zu Motor bzw. Turbine. Wenn keine Turbine vorhanden ist, ändert sich nichts und es ertönt ein akustisches Signal.
- ②
 - Bei ausgeschaltetem Automatikmechanismus:
Drücken Sie das ⑨ Drehzahlsteuerungspedal , und die Turbine dreht sich. Wenn das Pedal nicht mehr gedrückt wird, hält die Turbine an
 - Bei eingeschaltetem Automatikmechanismus:
Drücken Sie das ⑨ Drehzahlsteuerungspedal eine Sekunde lang, und die Turbine läuft weiter, auch wenn das Pedal nicht gedrückt wird. Drücken Sie das Pedal erneut, um den Vorgang abzubrechen.
- ③ Um den Automatikmodus zu beenden, Knieschalter oder Fußpedal oder den ⑥ Drehzahlsteuerungspedal erneut drücken.
- ※ Wenn während der Verwendung der ④ Luftpumpe der ⑧ Wahlschalter Vorwärts/Rückwärts gedrückt wird, wird diese Maßnahme ignoriert und es ertönt lediglich ein elektronischer Signalton.
- ④ Drücken Sie den Wahlschalter Turbine/Motor erneut, dann geht die grüne Lampe aus und der ⑬ Motor ist verfügbar.

5. Schutzschaltkreis

Wenn der Motor mit einer Belastung betrieben wird, die den Grenzwert überschreitet, oder das Handstück nicht gedreht werden kann, wird der Schaltkreis zum Schutz von Motor und Einheit aktiviert, um die Stromversorgung des Motors zu stoppen, wobei die ⑦ Leistungsanzeige an und aus geht.

Zurücksetzen des Schutzschaltkreises

Wenn Sie wieder den Motor bedienen wollen, das Zurücksetzen erfolgt durch erneutes Drücken des ⑨ Drehzahlsteuerungspedal nach Beseitigung der Fehlerursache.

6. Memory-Funktion

Wenn der Hauptschalter eingeschaltet wird, werden die zuletzt aktiven Einstellungen der Drehrichtung und die Auswahl Motor/Turbine wiederhergestellt. Es sollte hier besonders auf die Drehrichtung geachtet werden.

7. Wenn abnormale Bedingungen auftreten

Wenn Probleme in Verbindung mit dem Motor oder Gerät auftreten, stoppt die Stromversorgung des Motors und die Netzanzeige blinkt. Im Gegensatz zu einem Stopp durch den Schutzschaltkreis startet der Motor nicht, selbst wenn das Pedal gedrückt wird. Wenn ein solches Problem auftritt, fordern Sie bitte eine Reparatur an.

8. Auswechseln der Sicherung

Die Sicherung befindet sich in der (14) Eingangsbox . Verriegelungsklemmen direkt und linke oben und unten an der Eingangsbox lösen und herausziehen, um die Sicherung auszuwechseln (Abb. 5).



Abb. 5

Wenn die Sicherung durchgebrannt ist, wechseln Sie bitte die Sicherung aus und drücken Sie den Sicherungshalter in die ursprüngliche Position.

※ Sicherung: Bestellnummer (120V): 1202225010 (T2,5AH 250V)

※ Sicherung: Bestellnummer (230V): 1202216010 (T1,6AH 250V)



VORSICHT

Die Sicherung brennt durch, wenn ein Kurzschluss auftritt oder wenn eine Überspannung in die primäre Stromversorgung fließt. Wenn die Ursache unklar ist, das Produkt zur Inspektion an einen autorisierten NSK Kundendienst schicken.

9. Kupplung an Absaugung

An einigen Zahntechnik-Arbeitstischen mit Absauganlage kann der Motor gekoppelt an die Absaugung verwendet werden. Wenn eine solche Absauganlage* verwendet wird, kann der Stromverbrauch des ULTIMATE XL-F reguliert werden, damit die Kopplung an die Absaugung funktioniert. Wenn Sie eine Kopplung an die Absaugung verwenden möchten, wählen Sie den Modus wie folgt:

Modus wählen

Bei gedrücktem (8) Wahlschalter Vorwärts/Rückwärt den (5) Hauptschalter, dann kann der Modus gewählt werden. Ein langer Piepton zeigt den Absaug-Modus an und zwei kurze Pieptöne den nicht gekoppelten (energiesparenden) Modus an. Bei jeder Wahl mit dem Schalter ändert sich der Modus von gekoppelt zu nicht gekoppelt.

※ Eine derzeit bekannte Absauganlage ist KAVO EWL-560.

10. Handhabung von Motor und Handstück

(1) Einsetzen oder Herausnehmen des Bohrers.

Die Spannzange wird durch Drehen des Verriegelungsringes in die Stellung Offen geöffnet. Die Spannzange wird gelöst und der Bohrer kann herausgenommen werden. Nach dem Einsetzen eines Bohrers kann durch Drehen des Rings in Richtung LOCK (Verriegeln) die Spannzange geschlossen werden und der Bohrer ist fixiert. Den Ring jetzt drehen, bis es klickt (Abb. 6).

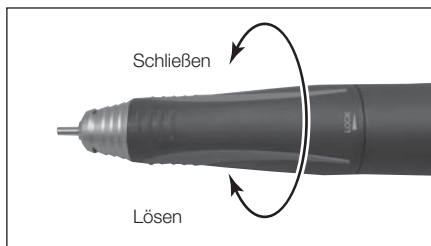


Abb. 6



VORSICHT

- Die motor Spannzangenverriegelung nicht drehen, während das Handstück sich dreht.
- Den Motor nicht laufen lassen, wenn der Bohrerverschlussring in der Stellung OFFEN ist oder wenn kein Bohrer in der Spannzange montiert ist. Dies könnte zum Lösen des Handstücks vom Motor oder plötzlicher Hitzeentwicklung führen.

(2) Spannzange reinigen und ersetzen

(1) Spannzange herausnehmen

Um die Spannzange herauszunehmen, öffnen Sie den Ring und drehen die Spannzange mit dem mitgelieferten Schlüssel (Abb. 7).

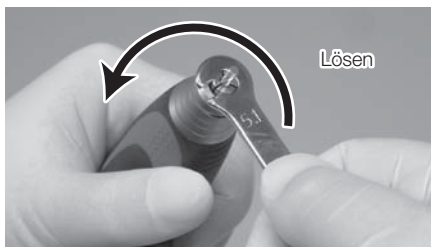


Abb.7

- ※ Wenn ein Bohrer mit großem Durchmesser des schneidenden Teils mit hohem Drehmoment verwendet wird, kann sich die Spannzange selbst in Richtung Schließen drehen, sodass der Bohrer möglicherweise festsitzt und nicht herausgenommen werden kann. In diesem Fall richten Sie den Kopfschlitz und die Position des Wellenspanners (flacher Teil) zueinander aus und nehmen einen L-Spanner, um die Welle zu fixieren. Um die Spannzange herauszunehmen, öffnen Sie den Ring und drehen die Spannzange mit dem mitgelieferten Spannzangenschlüssel gegen den Uhrzeigersinn (Abb. 8).



Abb. 8

(2) Spannzange reinigen

Nehmen Sie die Spannzange so oft wie möglich heraus und reinigen Sie sie im Ultraschallreiniger. Mindestens einmal wöchentlich reinigen.



VORSICHT

Eine Vernachlässigung der Reinigung über einen längeren Zeitraum ist sehr gefährlich, da sich Wachs, Gips usw. im Spannfutter ansammeln und der Bohrer nicht sicher gehalten wird oder gar herausfällt.

- (3) Einsetzen und Anpassen der Spannzange
Vor dem Einsetzen dünn Öl auftragen. Den Ring öffnen, einen Testbohrer oder den verwendeten Bohrer in die Spannzange einsetzen und die Spannzange von Hand im Uhrzeigersinn drehen, bis sie stoppt. Ziehen Sie die Spannzange mit dem mitgelieferten Spanschlüssel fest an (Abb. 9).



Abb. 9



VORSICHT

Bevor Sie das Handstück benutzen, prüfen Sie bitte auf jeden Fall, daß das rotierende Teil (Bohrer etc.) sicher montiert ist und sich nicht herausziehen lässt.

(3) Motorkabel vom Motor abnehmen und anschließen

Die Kabelmutter am hinteren Ende des Motors entfernen und der Motorkabelstecker kann herausgezogen werden. Um das Kabel anzuschließen, den Steckerstift und das Loch im Motorkabelstecker zueinander ausrichten und den Stecker geradlinig bis zum Anschlag einschieben. Dann die Kabelmutter anziehen. Den Stecker beim Einsetzen nicht drehen oder verdrehen.

※ Stecker beim Einsetzen nicht drehen oder verkanten.

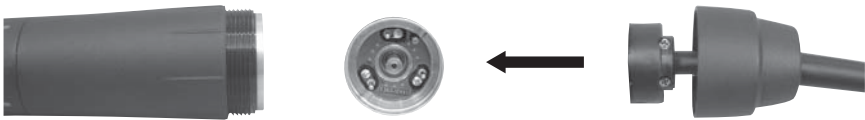


Abb. 10

(4) Handstück vom Motor abnehmen

Handstück und Motor sind in der Mitte miteinander verschraubt. Die Außengehäuse von Motor und Handstück festhalten und in entgegengesetzte Richtung drehen, um die beiden Teile zu trennen (Abb. 11). Beim Verbinden von Handstück und Motor folgende VORSICHTSMASSNAHME beachten.



Abb. 11



VORSICHT

Beim Anschließen des Handstücks an den Motor das Handstück im Uhrzeigersinn drehen und fest anziehen.

Wenn die Kupplung nicht richtig sitzt, kann das Handstück nicht vollständig angezogen werden. In diesem Fall keine

Gewalt anwenden. Das Handstück lösen und den Bohrer kurz drehen, um die Antriebswelle neu zu positionieren. Dann das Handstück nochmals aufstecken und fest anziehen (Abb. 12).

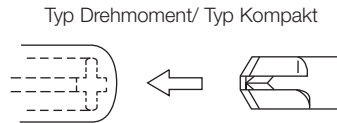


Abb. 12

11. Technische Daten

Steuergerät

Modell	NE230
Stromversorgung	120VAC 50-60Hz / 230V
Nennleistung	46VA
Gewicht	3,8kg
Abmessungen	B230x T292x H113mm

Handstückablage

Modell	Handstückablage
Gewicht	120g

Motorhandstück

1) Typ Drehmoment (Torque)

Modell	UMXL-T(P) / UMXL-T(P) 2M
Drehzahl	1.000~40.000 min ⁻¹
Drehmoment	8,7 N · cm
Gewicht	215g (ohne Motorkabel)
Abmessungen	L151x ø 29mm
Kabellänge	2m

2) Typ Kompakt

Modell	UMXL-C 2M
Drehzahl	1.000~40.000 min ⁻¹
Drehmoment	6 N · cm
Gewicht	181g (ohne Motorkabel)
Abmessungen	L144 x ø27mm
Kabellänge	2m

12. Fehlerbehebung

Bitte folgende Punkte überprüfen, bevor Sie das Instrument zur Reparatur einschicken.
(Kontrolleinheit und Motor)

Problem	Ursache / Überprüfen	Abhilfe	
Pilotlampe leuchtet nicht	Der Netzstecker ist ausgesteckt.	Netzstecker richtig einstecken.	
	Die Sicherung ist durchgebrannt.	Durch angegebene Sicherung ersetzen. Wenn die Ursache für das Durchbrennen unbekannt ist, um Inspektion bitten.	
	Netzschalter ist defekt.	Reparieren lassen.	
Motor und Handstück laufen nicht oder Resetlampe leuchtet	Die Netzanzeige blinkt, wenn das Pedal gedrückt wird.	Wenn das Signal vom Motor nicht an das Gerät übermittelt wird, tritt ein Problem auf. Motorkabel nochmals überprüfen, ob es beschädigt oder nicht korrekt angeschlossen ist. Wenn das Motorkabe beschädigt oder die Ursache nicht feststellbar ist, bitte Reparatur anfordern.	
	Das Motorhandstück beginnt sich manchmal zu drehen, wenn das Pedal einige Male gedrückt wird.	Das Problem könnte im Bremsschaltkreis liegen. Bitte Reparatur anfordern.	
	Das Motorhandstück beginnt sich sofort zu drehen, wenn das Pedal gedrückt wird.	Das Problem könnte auf übermäßigem Stromfluss im Schaltkreis beruhen. Den Betrieb des Motors für einige Zeit unterbrechen.	
	Die Netzanzeige hat 5 bis 6 Sekunden nach dem Drücken des Pedals geblinkt.	Überprüfen, ob der Spannzangenring nicht geöffnet ist. Versuchen, den Bohrer mit den Fingern zu drehen.	Den Spannzangenring in die Position LOCK (VERRIEGELN) stellen. Wenn sich der Bohrer nicht dreht, werden Motor oder Handstück beeinträchtigt. Bitte Reparatur anfordern.
	Das Motorhandstück bleibt unter starker Belastung stehen.	Kehrt sofort zum Normalzustand zurück, wenn es erneut versucht wird.	Der Schutzschaltkreis wird gestartet. Der Motor darf nicht verwendet werden, um den Schutzschaltkreis zu aktivieren.
	Die Netzanzeige blinkt weiter, auch wenn das Gerät erneut eingeschaltet wird.	Das Gerät ist bei Berührung heiß.	Starten Sie das Gerät erneut, nachdem der Betrieb unterbrochen wurde und sich das Gerät 10 Minuten lang abgekühlt hat. Den Betrieb des Geräts überprüfen; wenn es normal funktioniert, liegt kein Problem vor.
		Das Gerät ist bei Berührung nicht heiß.	Es liegt eine Fehlfunktion im internen Speicher vor. Bitte Reparatur anfordern.

(Handstück)

Problem	Ursache	Abhilfe
Das Handstück läuft bei angezogenem Spannfutter nicht.	Eindringen von Fremdmaterial in Kugellager oder Blockieren.	An Ihren Händler schicken. Reparieren lassen.
Während der Rotation entsteht Hitze.	Eindringen von Fremdmaterial in die Kugellager verursacht Abnutzung der Lager.	Wie oben.
Vibration oder Geräusche treten während der Rotation auf.	Wie oben.	Wie oben.
	Es wird ein verbogener Bohrer verwendet.	Bohrer ersetzen.
Bohrer läuft sehr lange nach.	Im Spannfutter oder in der Welle kann Staub sitzen.	Spannfutter und Welle innen reinigen.
	Das Spannfutter ist abgenutzt.	Spannfutter ersetzen.
	Die Kugellager sind abgenutzt.	An Ihren Händler schicken.
Der Bohrer kommt heraus.	Das Spannfutter ist lose.	Spannfutter einstellen.

13. Entsorgung des Produktes

Bitte wenden Sie sich bezüglich Abfallentsorgung an den Händler, von dem Sie das Produkt gekauft haben.

Français

NSK

Micromoteur de laboratoire

ULTIMATE XL-F


MANUEL TECHNIQUE



Nous vous remercions d'avoir acheté ULTIMATE XL-F.

Nous vous recommandons de lire attentivement ce mode d'emploi notamment les instructions concernant l'utilisation, la méthode de manipulation, la maintenance ainsi que l'inspection avant d'utiliser l'appareil et de ranger ce manuel dans un endroit où vous pourrez le consulter à tout moment.

Table des matières

 INSTRUCTIONS IMPORTANTES ET PRECAUTIONS POUR LES DISPOSITIFS ELECTRIQUES	32
1. Désignation des éléments	35
2. Méthode de montage de chaque composant	36
3. Procédure opératoire	37
4. Procédure opératoire de la turbine à air (option)	37
5. Protection du circuit électronique	38
6. A propos de la fonction de mémoire	38
7. En cas d'anomalie	38
8. Remplacement du fusible	38
9. Aspiration couplée à l'Ultimate XL-F	38
10. Mode opératoire du moteur et de la pièce à main	39
11. Caractéristiques	41
12. Pannes et dispositions à prendre	42
13. Mis au rebut de l'instrument	43

⚠ INSTRUCTIONS IMPORTANTES ET PRECAUTIONS POUR LES DISPOSITIFS ELECTRIQUES

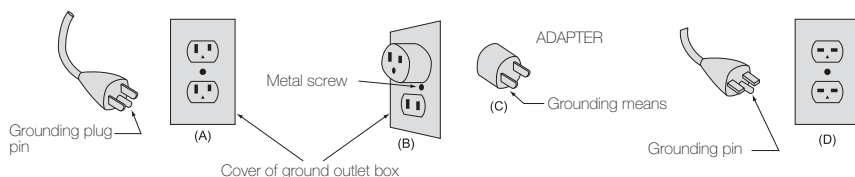
⚠ PRECAUTIONS

Lors de l'utilisation d'appareils électriques, il faut toujours suivre les précautions de base de sécurité, afin de limiter les risques d'incendie, d'électrochoc et les blessures corporelles. Lisez toutes ces instructions avant de faire fonctionner cet appareil et gardez-les près de vous.

A. INSTRUCTIONS POUR LA MISE A LA TERRE

1. En cas de mauvais fonctionnement ou de panne, la mise à la terre offre une voie de résistance minimale pour le courant électrique afin de réduire le risque d'électrochoc. Cet appareil est fourni avec un cordon électrique équipé d'une prise de terre. Ce cordon électrique doit être connecté à une prise adaptée qui sera correctement installée et mise à la terre conformément à tous les codes et réglementations locales.
2. Ne modifiez pas la fiche fournie. Si elle ne convient pas à votre branchement, demandez à un électricien qualifié d'installer une prise adéquate.
3. Une connexion incorrecte du conducteur de mise à la terre principale peut provoquer un électrochoc. Le conducteur avec une isolation ayant une surface extérieure verte avec ou sans raies jaunes est le conducteur de mise à la terre principale. S'il est nécessaire de réparer ou de remplacer le cordon électrique ou la fiche, ne branchez pas le conducteur de mise à la terre principale sur une phase ou un neutre.
4. Vérifiez avec un électricien qualifié ou une personne du service après-vente si les instructions de la mise à la terre ne sont pas respectées, ou si un doute subsiste quant à la mise à la terre correcte de cet appareil.
5. Utilisez uniquement des rallonges électriques avec des mises à la terre.
6. Cet appareil a été conçu pour une utilisation sur un circuit ayant une sortie comme celle indiquée dans l'illustration A dans la figure (ci-dessous) (120V). Un adaptateur temporaire, semblable à celui de l'illustration B et C, doit être utilisé pour brancher cette fiche à une prise femelle à 2 pôles comme indiqué dans l'illustration B si une sortie de mise à la terre correcte n'est pas disponible. L'adaptateur temporaire ne doit être utilisé qu'en attendant qu'une sortie de mise à la terre correcte puisse être installée par un électricien qualifié. L'oreille rigide verte, la cosse pour câble ou autre pièce allongeant l'adaptateur doit être branchée à une mise à la terre permanente notamment à une boîte de sortie de mise à la terre correcte.

Méthode de mise à la terre



7. UTILISEZ UNE RALLONGE CORRECTE. Assurez-vous du bon état de votre rallonge. Quand vous l'utilisez, vérifiez bien qu'elle est suffisamment puissante pour apporter le courant nécessaire à votre appareil. Un cordon de dimension inférieure à la cote préconisée peut provoquer une baisse dans la tension de ligne engendrant une perte de puissance et une surchauffe. Le tableau (ci-dessous) indique la taille correcte à utiliser suivant la longueur du cordon et la valeur nominale sur la plaque caractéristique. En cas de doute, utilisez la plus haute cote suivante. Plus le numéro de cote est faible, plus le cordon est puissant.
8. Installez l'équipement de façon à pouvoir rapidement enlever la prise de courant en cas d'urgence. Ne placez aucun objet dans un périmètre de 10 cm autour de l'unité.

Valeur minimale pour le cordon électrique

Valeur nominale		Volts	Longueur totale du cordon			
		120V	7,5m(25pieds.)	15m(50pieds.)	30m(100pieds.)	45m(200pieds.)
		240V	15m(50pieds.)	30m(100pieds.)	60m(200pieds.)	90m(300pieds.)
Supérieure à	Pas plus de	Cordon Nombre				
0	6	#18	#16	#16	#14	
6	10	#18	#16	#14	#12	
10	12	#16	#16	#14	#12	
12	16	#14	#12	Non recommandée		

B. AUTRES INSTRUCTIONS DE PRECAUTIONS

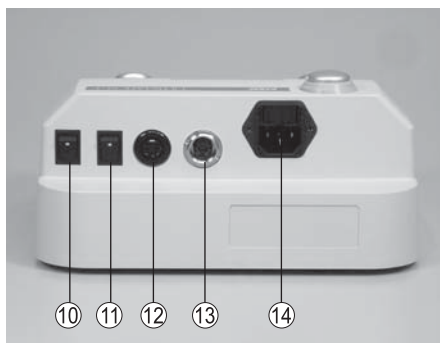
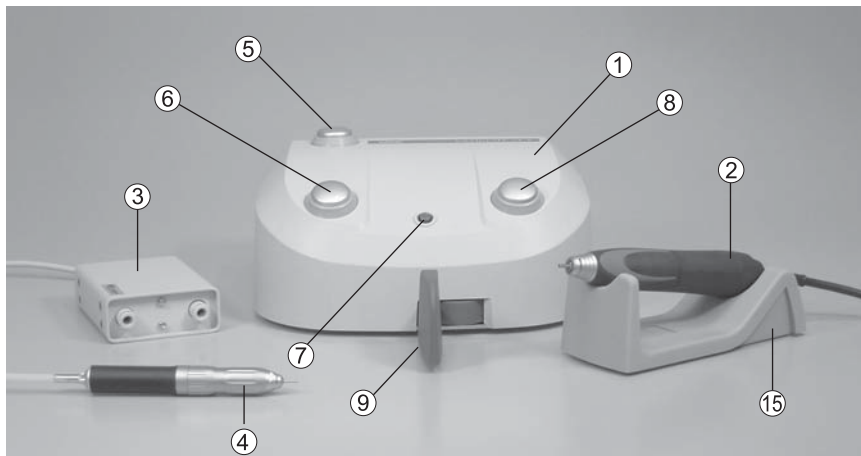
- Pour votre propre sécurité, lisez le manuel d'instructions avant de manipuler l'appareil.
- Portez des lunettes de protection.
- Remplacez immédiatement tout accessoire cassé.
- Ne vissez pas trop les écrous de fixation.
- **RETIREZ LES CLES ET LES BOULONS DE REGLAGE.** Prenez l'habitude de vérifier que les clés et les boulons de réglage soient retirés de l'appareil avant de le mettre en marche.
- **GARDEZ TOUJOURS LE POSTE DE TRAVAIL PROPRE.** Des postes de travail ou des bancs encombrés provoquent des accidents.
- **N'UTILISEZ PAS CET APPAREIL DANS UN ENVIRONNEMENT DANGEREUX.** N'utilisez pas d'outils électriques dans des lieux humides et mouillés. Gardez votre poste de travail bien éclairé.
- Risque de blessure en cas de démarrage accidentel. N'utilisez pas l'appareil dans un lieu où il y a des enfants.
- **NE FORCEZ PAS L'APPAREIL.** Il fera un meilleur travail s'il fonctionne à la vitesse pour laquelle il a été conçu.
- **UTILISEZ LE BON OUTIL.** Ne forcez pas l'outil ou sa fixation pour effectuer un travail pour lequel l'appareil n'a pas été conçu.
- **PORTEZ UNE TENUE PROFESSIONNELLE ADAPTEE A VOTRE TRAVAIL.** Ne portez pas de vêtements amples, de gants, de cravate, de bagues, de bracelets ou autres bijoux qui pourraient se coincer dans les pièces mobiles. Des chaussures non-glissantes sont recommandées. Portez un bonnet de protection pour les cheveux longs.
- **UTILISEZ TOUJOURS DES LUNETTES DE PROTECTION.** Les lunettes de vue ont des verres résistants uniquement aux impacts, ce ne sont PAS des lunettes de protection. Utilisez aussi un masque contre la poussière si nécessaire.

- **TRAVAILLEZ EN TOUTE SECURITE.** Utilisez des crampons ou un étau pour maintenir la pièce à usiner pendant le travail. Ceci est plus sûr que d'utiliser votre main et ceci libère vos deux mains pour manipuler l'appareil.
- **ENTRETIENEZ L'APPAREIL AVEC SOIN.** Gardez l'appareil propre pour une meilleure performance et pour réduire les risques de blessure corporelle. Suivez les instructions concernant la lubrification et le remplacement des accessoires.
- **DEBRANCHEZ L'APPAREIL** avant l'entretien : lors du remplacement des accessoires notamment les lames, les mèches et les couteaux.
- **REDUISEZ LES RISQUES DE DEMARRAGE HASARDEUX.** Assurez-vous que l'interrupteur est sur la position OFF avant de brancher l'appareil.
- **UTILISEZ LES ACCESSOIRES RECOMMANDES.** Consultez le manuel d'utilisation pour connaître les accessoires recommandés. L'utilisation d'accessoires incorrects peut entraîner un accident et /ou des blessures corporelles.
- **NE LAISSEZ JAMAIS L'APPAREIL EN MARCHE SANS SURVEILLANCE. TOUJOURS L'ETEINDRE.**
- Pour la vitesse de marche recommandée pour diverses applications, veuillez suivre les instructions des fabricants de fraises.
- Le système fonctionne normalement dans un environnement où la température est de 0 à 40°C, l'humidité est de 10 à 85%RH et où aucune condensation n'existe dans l'unité. Utiliser l'appareil en dehors de ces limites peut entraîner un dysfonctionnement de celui-ci.
- Rangez l'appareil dans un lieu où la température est de -10 à 60°C, l'humidité est de 10 à 85%RH, la pression atmosphérique de 500 à 1060hPa et où il n'y a ni poussière, ni soufre, ni sel dans l'air.
- Un choc important, par exemple : la chute du boîtier de contrôle ou du micromoteur, peut provoquer des dégâts.
- Ne tournez pas la bague de verrouillage de la fraise tant que le moteur tourne.
- Ne faites pas tourner le moteur lorsque la bague de verrouillage est en position OPEN (ouverte), ou qu'aucune fraise n'ait été installée dans le mandrin. Ceci pourrait provoquer une déconnexion du moteur ou de la pièce à main ou générer une soudaine surchauffe.
- L'activation du coupe-circuit signifie qu'une pression excessive, supérieure à la capacité du moteur, a été appliquée au moteur. Ce coupe-circuit a été conçu pour protéger le moteur mais il est préférable d'effectuer le fraisage sans l'activer.
- Il faut faire attention à ne pas faire tomber le micromoteur sur le sol ou sur une surface dure.
- Ne démontez et n'altérez pas vous-même le produit.
- Veillez à ne pas vous blesser avec la meule ou la fraise.
- Lorsque vous remplacez le fusible, veillez à sélectionner le modèle et la puissance corrects.

C. INSTRUCTIONS IMPORTANTES ET PRECAUTIONS SUR L' ULTIMATE XL-F

- Le moteur et la pièce à main ne doivent pas être lubrifiés car les roulements à billes du moteur ainsi que ceux de la pièce à main le sont déjà.
- Utilisez exclusivement le cordon d'alimentation original. En cas de dommages, veuillez contacter le service après-vente NSK/Nakanishi.
- Equipement à renvoyer au fabricant pour service/réparation.

1. Désignation des éléments



- ① Boîtier de contrôle
- ② Moteur + Pièce à main
- ③ Adaptateur de turbine (option)
- ④ Turbine (option)
- ⑤ Interrupteur principal
- ⑥ Commutateur turbine/moteur
- ⑦ Témoin de fonctionnement
- ⑧ Inversion de sens de rotation
- ⑨ Pédale de commande
- ⑩ Interrupteur de vitesse maximale de rotation
- ⑪ Interrupteur de régulation de vitesse
- ⑫ Connecteur pour adaptateur de turbine
- ⑬ Connecteur du cordon moteur
- ⑭ Prise cordon électrique
- ⑮ Support moteur

2. Méthode de montage de chaque composant

(1) Mise en place du moteur

Insérer la prise du cordon moteur dans la fiche ⑬ du boîtier, bien aligner les broches et visser pour un bon maintien. (Fig.1)



Fig. 1

(2) Mise en place du cordon électrique

Insérer correctement le cordon électrique dans la ⑭ prise située sur la face arrière du boîtier de contrôle. (Fig.2)



Fig. 2

(3) Mise en place de la turbine (option)

Insérer la fiche de l'adaptateur ⑬ de turbine dans son connecteur ⑫ situé sur la face arrière du boîtier de contrôle. (Fig. 3)

Insérer les 2 tuyaux flexibles de ⑬ l'Adaptateur de turbine dans le port de raccordement de la pédale de commande du circuit d'air (Fig.4)

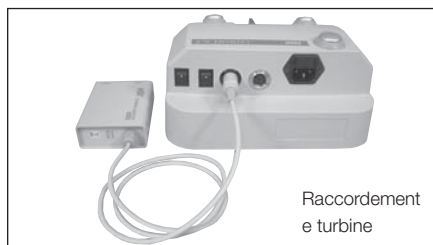
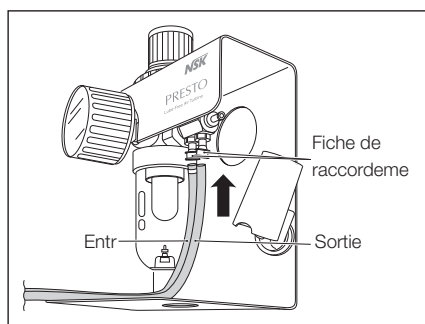


Fig. 3



Port de raccordement de la pédale de commande

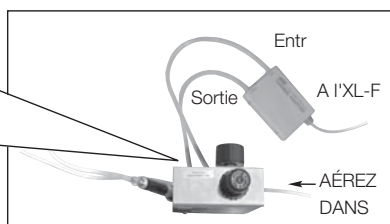


Fig. 4

3. Procédure opératoire

- ① Insérer le cordon électrique à une prise électrique murale.
- ② S'assurer que le potentiomètre soit au minimum avant de démarrer. Lorsque l'interrupteur est en position basse, la vitesse maximale de rotation est limitée à 30.000 min⁻¹. Et quand il est à la position haute, la même vitesse est à 40.000 min⁻¹.
- ③ Le mode de service automatique ou le mode variable sont à sélectionner en agissant sur ⑪ l'Interrupteur de régulation de vitesse.
- ④ Lorsque l'Interrupteur principal ⑤ est appuyé, la lampe témoin de ⑦ Témoin de fonctionnement s'allume.
- ⑤ Lorsque l'on appuie vers la droite sur la ⑨ Pédale de commande, le moteur se met en marche. La vitesse de rotation est variable en fonction de la course de l'appui de la pédale, dans la limite de la vitesse maximale consignée.
- ⑥ Pour changer le sens de rotation, appuyer sur l'inversion ⑧ de sens de rotation.

※ A propos de la régulation de vitesse

Lorsqu'on souhaite fixer une vitesse constante et que l'on appuie sur ⑩ Automatique de moteur pendant que l'appareil est en rotation désirée, la lampe du moteur clignote et la vitesse de rotation est maintenue même après le relâchement de la ⑤ Commande à genou ou ⑥ Pédale de commande. Pour annuler cette vitesse constante, appuyer, de nouveau, sur ⑩ Automatique ou sur la ⑤ Commande à genou ou ⑥ pédale de commande.

4. Procédure opératoire de la turbine à air (option)

- ① Chaque fois que l'on appuie sur le commutateur de turbine/moteur ⑥, la commutation se fait entre la turbine et le moteur.
- ※ Lorsque la turbine n'est pas raccordée et que l'on appuie sur le ⑥ Commutateur turbine/moteur, un son se fait entendre mais la commutation ne se fait pas.
- ②
 - Lorsque le mécanisme de service automatique est mis sur OFF ; la turbine tourne si l'on appuie sur la ⑨ Pédale de commande. Lorsque l'on relâche cette pédale, la turbine s'arrête.
 - Lorsque le mécanisme de service automatique est mis sur ON ; et que l'on appuie sur la ⑨ Pédale de commande, la turbine se met en rotation et continuera à tourner même si l'on relâche la ⑨ Pédale de commande plus de 1 seconde après la mise en rotation. Pour arrêter la rotation de la turbine, il faut appuyer, de nouveau, sur ladite pédale.
- ※ Lorsque la turbine est en fonctionnement, la commande de changement du sens de rotation par appui sur ⑧ Commutateur de sens de rotation émettra un son électronique mais n'aura aucun effet.
- ③ Pour remettre en marche le micromoteur, il faut appuyer, de nouveau, sur le ⑥ Commutateur turbine/moteur.

5. Protection du circuit électronique

Un système interne protège le circuit électronique et le moteur d'une sur-tension ou d'une utilisation trop intensive. Dans ces conditions, l'alimentation électrique vers le moteur est coupée.

Méthode d'annulation du circuit de protection

L'annulation s'effectue en appuyant sur la ⑨ Pédale de commande avoir éliminé la cause de l'erreur.

6. A propos de la fonction de mémoire

Lorsque l'on met sur ON Interrupteur de source électrique, le sens de rotation et la commutation main/pédale reviennent à la position où étaient lors de la mise sur OFF de Interrupteur de source électrique . Il faut faire attention, en particulier, au sens de rotation.

7. En cas d'anomalie

Lorsqu'une anomalie se produit sur le boîtier de contrôle ou le moteur, l'alimentation électrique vers le moteur est interrompue et le Témoin de fonctionnement ⑦ clignote. Suite à cet arrêt qui est différent de celui par le circuit de protection, le moteur ne se remettra pas en marche même si l'on appuie, de nouveau, sur la pédale de commande. Si une telle anomalie se produit, contacter le revendeur pour lui demander la réparation.

8. Remplacement du fusible

Les fusibles sont situés sur la partie arrière du boîtier ⑭. Pour changer le fusible, retirer le porte-fusible en appuyant simultanément sur les deux languettes opposées.(Fig.5)

Si le fusible a sauté, le remplacer par un neuf et le remettre dans le porte-fusible.



Fig.5

※ Fusible : Référence (120V) : 1202225010 (T2.5AH 250V)

※ Fusible : Référence (230V) : 1202216010 (T1.6AH 250V)



ATTENTION

Lors d'un court-circuit ou d'une surtension dans le circuit primaire, le fusible saute. Si la raison pour laquelle le fusible a sauté ne peut pas être identifiée, renvoyer l'appareil à votre distributeur.

9. Aspiration couplée à l'Ultimate XL-F

Dans certains laboratoires, des aspirations couplées sont utilisées. Le moteur peut ainsi être connecté en série avec l'aspiration. Dans ce cas, la consommation électrique du moteur est régulée, ce qui permet d'utiliser l'aspiration. Pour activer cette fonction, procéder comme suit.

Comment sélectionner le « Mode Aspiration Couplée »

Mettre l'Interrupteur ⑤ Général sur OFF. En appuyant sur l'Inverseur ⑧ de sens de rotation, remettre l'Interrupteur ⑤ Général sur ON. Un long Beep indique l'activation du mode Aspiration Couplée. Pour désactiver ce mode, répéter la manipulation précédente, 2 Beeps courts retentissent.

* Chaque fois que l'interrupteur est utilisé, il y a commutation du mode de fonctionnement accouplé au mode non accouplé.

* La pompe à salive reconnue jusqu'à présent est le modèle EWL-560 fabriqué par KAVO

10. Mode opératoire du moteur et de la pièce à main

(1) Montage et démontage de la fraise

Pour démonter la fraise, desserrer le mandrin en faisant tourner la bague dans les sens "OPEN (ouvrir)". Pour remonter la fraise, resserrer le mandrin en faisant tourner la bague dans le sens "LOCK (bloquer)". A ce moment, faire tourner la bague jusqu'à ce qu'un son "de déclic" se produise. (Fig.6)

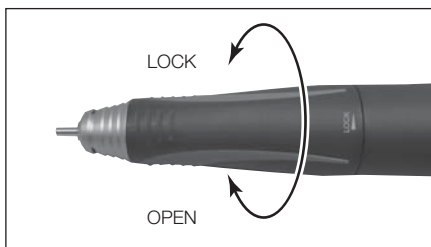


Fig. 6



ATTENTION

- Ne faire aucune rotation pendant que l'on fait tourner la bague.
- Ne pas faire tourner le moteur lorsque la bague est à la position ouverte ou que la fraise n'est pas mise en place. Faute de quoi, il y a risque de panne de la pièce à main ou échauffement brutal.

(2) Nettoyage et démontage de la griffe

(1) Démontage de la griffe

Pour démonter la griffe, mettre la bague en position OPEN et faire tourner la griffe dans le sens anti-horaire avec la clé fournie. (Fig.7)

※ Normalement, cette opération peut se faire à la main, mais il arrive qu'après une utilisation intensive avec une fraise de gros diamètre ou un disque à séparer, suite également à une pression excessive lors d'un travail, la griffe se soit vissée fortement à l'axe, et l'on éprouve de grandes difficultés à la dévisser. Si un tel cas se produit, suivre la procédure de démontage suivante : à l'aide de la clé angulaire fournie, bloquer l'axe et dévisser dans le sens anti-horaire avec la clé plate. (Fig.8)

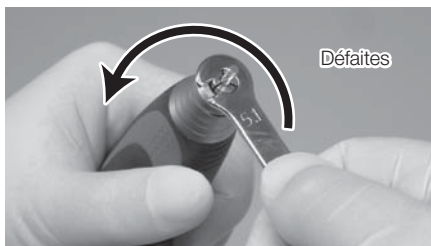


Fig. 7



Fig. 8

(2) Nettoyage de la griffe

Pour assurer la précision de la griffe, effectuer, le plus fréquemment possible, le nettoyage de celle-ci en utilisant un bac à ultrasons. Pour une utilisation aisée, nous vous recommandons d'effectuer le nettoyage au moins une fois par semaine.

ATTENTION

Lorsque la griffe n'a pas été nettoyée depuis longtemps, de la cire ou autres dépôts s'accumulent autour de celle-ci et l'instrument rotatif (fraise, etc.) ne sera plus serré correctement ce qui constitue un danger .

(3) Remplacement de la griffe

Mettre une à deux gouttes d'huile au niveau de filetage de la griffe. Laisser la bague en position OPEN et faire tourner, manuellement vers la droite jusqu'à l'arrêt complet, la griffe munie d'une fraise ou d'une fraise calibre. Ensuite bloquer (LOCK) la bague pour assurer le serrage suffisant de la griffe. (Fig.9)

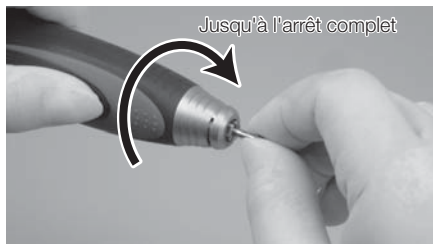


Fig. 9

ATTENTION

Avant d'utiliser la pièce à main, s'assurer, en tirant sur l'instrument rotatif (fraise, etc.), que ce dernier est correctement serré.

(3) Déconnexion et connexion du moteur et de son cordon

Le connecteur du cordon de moteur peut être retiré en dévissant le culot arrière du moteur. Pour la connexion, aligner les broches du moteur en regard des trous du connecteur du cordon jusqu'au bout. Revisser ensuite le culot arrière (Fig.10).

※ Lors de l'insertion du connecteur du cordon de moteur, éviter de forcer et/ou de tourner.



Fig. 10

(4) Déconnexion de la pièce à main et du moteur

Le moteur et la pièce à main sont vissés par le milieu. Pour les séparer, faire tourner le moteur dans le sens anti-horaire en le maintenant fermement. (Fig. 11).



Fig. 11



ATTENTION

Lorsque l'on connecte la pièce à main au moteur, visser la pièce à main en la tenant fermement. Mais si l'engrenage n'est pas engagé correctement, la pièce à main ne se vissera pas correctement. Dans ce cas ne pas forcer. Re-dévisser la pièce à main, tourner la fraise légèrement à la main pour enclencher correctement la transmission pièce à main au moteur. (Fig. 12).

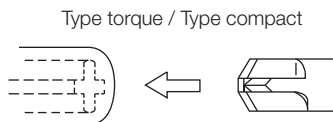


Fig. 12

11. Caractéristiques

Boîtier de contrôle

Modèle	NE230
Source électrique	AC120V 50-60Hz AC230V 50-60Hz
Puissance estimée	46VA
Poids	3,8kg
Dimensions	W230x D292x H113mm

Support moteur

Modèle	Support moteur
Poids	120g

Moteur et Pièce à main

1) Type torque

Modèle	UMXL-T(P) / UMXL-T(P) 2M
Vitesse de rotation	1.000~40.000 min ⁻¹
Couple maximal	8,7 N · cm
Poids	215g (cordon exclus)
Dimensions	L151x ø 29mm
Longueur du cordon	2,0m

2) Type compact

Modèle	UMXL-C 2M
Vitesse de rotation	1.000~40.000 min ⁻¹
Couple maximal	6 N · cm
Poids	181g (cordon exclus)
Dimensions	L143x ø 27mm
Longueur du cordon	2,0m

12. Pannes et dispositions à prendre

Lorsque l'on soupçonne une panne, il faut vérifier les points suivants avant de demander une réparation

(Boîtier de contrôle et moteur)

Symptôme	Vérification	Remède
La lampe témoin ne s'allume pas.	Vérifier que la prise d'alimentation est branchée.	Insérez la prise d'alimentation correctement.
	Vérifier l'état du fusible.	Remplacez-le avec un fusible neuf de même valeur. Si cela se reproduit, retourner l'appareil au SAV.
	L'interrupteur Marche/Arrêt est défectueux.	Le faire remplacer.
Le moteur et handpiece ne courent pas.	La lampe témoin s'allume même si on n'appuie pas sur la pédale.	Vérifiez le cordon du moteur pour déterminer s'il est endommagé et est relié correctement. Si le cordon du moteur est endommagé ou la cause n'est pas déterminée, contactez le SAV.
	Le moteur fonctionne si on appuie sur la pédale plusieurs fois.	Circuit freinage moteur verrouillé. Contactez le SAV.
	Le moteur fonctionne à pleine vitesse dès que l'on appuie sur la pédale.	Le problème pourrait être dû à une sur-tension. Laisser le moteur sans tourner pendant qq minutes.
La lampe témoin s'est allumée pendant 5 à 6 secondes après avoir appuyé sur la pédale.	Vérifier que la griffe n'est pas ouverte.	Fermer la griffe.
	Essayez de tourner la fraise manuellement.	Si la rotation est anormale, demander la réparation de la pièce à main.
La pièce à main s'arrête par manque de couple ou de puissance.	Si tout revient à la normale ré-essayez à nouveau.	Mise en sécurité du boîtier. Relâcher la pédale pour désenclencher la sécurité.
La lampe témoin reste allumée, pédale relâchée.	Le boîtier de contrôle chauffe.	Laisser refroidir pendant une dizaine de mn avant de rallumer le boîtier. Si tout est correct, vous pouvez continuer à travailler.
	Le boîtier de contrôle ne chauffe pas.	Il y a un fonctionnement défectueux dans la platine électronique. Adresser l'appareil au service après-vente.

(Pièce à Main)

Symptôme	Vérification	Remède
La pièce à main ne tourne pas alors que la griffe est verrouillée.	Roulements défectueux.	Contactez votre distributeur NSK agréé.
La pièce à main chauffe.	Roulements encrassés.	Contactez votre distributeur NSK agréé.
La pièce à main vibre et/ou est bruyante.	Roulements encrassés.	Contactez votre distributeur NSK agréé.
	Utilisation d'une fraise abîmée, tordue.	Changer de fraise.
L'oscillation de la fraise est trop importante.	Des poussières peuvent être collées sur la griffe.	Nettoyer l'intérieur de la griffe.
	La griffe est usée.	Remplacer la griffe.
	Usure du roulement.	Contactez votre distributeur NSK agréé.
La fraise ne tient pas.	La griffe est ouverte.	Resserrer correctement la griffe.

13. Mis au rebut de l'instrument

Veuillez contacter le magasin où vous avez acheté l'instrument pour sa mise au rebut.

Español

NSK

Micromotor para laboratorio dental
ULTIMATE XL-F


MANUAL DE USO



Muchas gracias por su compra de nuestro ULTIMATE XL-F.

Sírvase leer detenidamente este Manual de Uso sobre el método del manejo, y mantenimiento e inspección antes del uso, y consérvelo en un lugar seguro y accesible para futuras consultas.

Contenido

 INSTRUCCIONES IMPORTANTES Y ADVERTENCIA – Equipos eléctricos	48
1. Denominación de los Componentes	51
2. Método de instalación de Unidad de Control	52
3. Procedimientos de Uso	53
4. Procedimiento de Uso de la Turbina Neumática (Opcional)	53
5. Circuito de Protección del Motor	53
6. Función Memoria	54
7. Cuando se Produzca Una Anormalidad	54
8. Método de Reemplazo del Fusible	54
9. Modo de Acoplar con el Colector de Vacío	54
10. Método de Operar el Motor y la Pieza de Mano	55
11. Especificaciones	57
12. Soluciones de Problemas	57
13. Deshecho de Producto	58

⚠ INSTRUCCIONES IMPORTANTES Y ADVERTENCIA – Equipos eléctricos

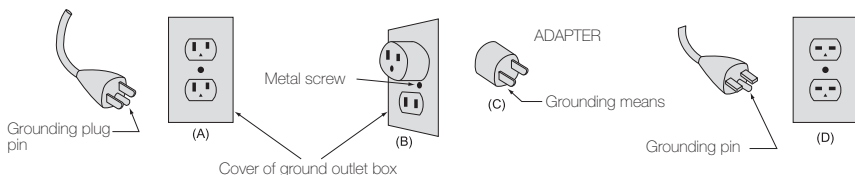
⚠ ADVERTENCIA !

En el uso de los equipos eléctricos, deben seguirse estrictamente las precauciones de seguridad para reducir cualquier riesgo de incendio, descarga eléctrica y accidente personal, incluyendo lo siguiente. Lea cuidadosamente estas instrucciones antes de operar este producto y cumpla cada una de ellas.

A. INSTRUCCIONES DE BAJADA A TIERRA

1. En caso de un malfuncionamiento o rotura, la bajada a tierra ofrece un trayecto de mínima resistencia para la corriente eléctrica a fin de reducir el riesgo de descarga eléctrica. Este equipo está provisto de un cordón eléctrico con un conductor de tierra del equipo y enchufe de bajada a tierra. El enchufe debe conectarse a un tomacorriente adaptable correctamente instalado y conectado a tierra de acuerdo con los códigos y ordenanzas locales.
2. No modifique el enchufe provisto – si no se adapta al tomacorriente, mande instalar un tomacorriente adecuado a un electricista competente.
3. La incorrecta conexión del conector de bajada a tierra del equipo puede provocar posible riesgo de descarga eléctrica. El conductor aislado de superficie externo verde con o sin rayas amarillas es el conductor de bajada a tierra del equipo. Si se requiere reemplazar el cordón o enchufe eléctrico, tenga cuidado de no conectar el cordón de bajada a tierra del equipo a un terminal vivo.
4. Consulte con un electricista competente o personal de servicio si no entiende perfectamente las instrucciones de bajada a tierra, o si está dudoso sobre la correcta conexión a tierra del equipo.
5. Use sólo cordones de extensión trifilares provistos de enchufes de bajada a tierra de 3 espigas y receptáculos de 3 polos que aceptan el enchufe del equipo.
6. Este equipo está diseñado para utilizarse en un circuito provisto de un tomacorriente como el mostrado en el Boceto A en la Figura (abajo) (120V). El equipo tiene un enchufe de bajada a tierra parecido al enchufe ilustrado en el Boceto A en la Figura (abajo). Puede usarse un adaptador temporal, como el ilustrado en los Bocetos B y C, para conectar este enchufe al receptáculo de 2 polos como el mostrado en el Boceto B, de no estar disponible un tomacorriente correctamente conectado a tierra. El adaptador temporal debe usarse sólo hasta que sea instalado el tomacorriente correctamente conectado a tierra por un electricista competente. La orejeta rígida de color verde, lengüeta, etc. que se extienden del adaptador deben conectarse a un conector permanente tal como una caja de salida debidamente conectada a tierra.

Método de bajada a tierra



7. USE UN ADECUADO CABLE DE EXTENSIÓN. Asegúrese de que su cable de extensión está en buen estado. Al usar un cable de extensión, verifique que sea tenga capacidad suficiente para conducir con seguridad la corriente de su producto. El cable de menor tamaño causaría caída en el voltaje de línea, originando pérdida de fuerza y sobrecalentamiento. La Tabla (abajo) muestra la medida adecuada del cable según la longitud y clasificación de Amperios indicada en la placa indicativa. Si duda, use un cable de mayor número de calibre. Mientras menor sea el número de calibre, más grueso será el cable.
8. Coloque el equipo de tal forma que pueda sacar rápidamente el cable de alimentación en caso de emergencia. No coloque nada en un entorno de 10 cm de la unidad.

Calibre mínimo para cordón

Clasificación de amperios		Voltios	Longitud Total del Cordón			
		120V	7,5m(25pies.)	15m(50 pies)	30m(100 pies)	45m(150 pies)
		240V	15m(50pies.)	30m(100 pies)	30m(200 pies)	90m(300 pies)
Más de	No más de	No. de calibre del cable de extensión				
0	6	#18	#16	#16	#14	#14
6	10	#18	#16	#16	#14	#12
10	12	#16	#16	#16	#14	#12
12	16	#14	#12	No recomendable		

B. OTRAS INSTRUCCIONES DE ADVERTENCIA

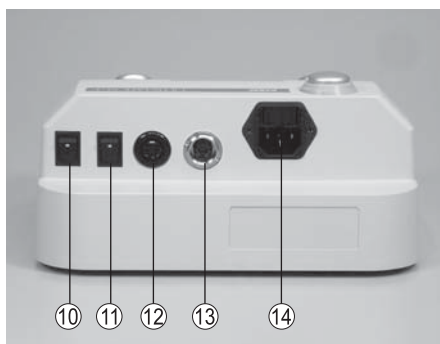
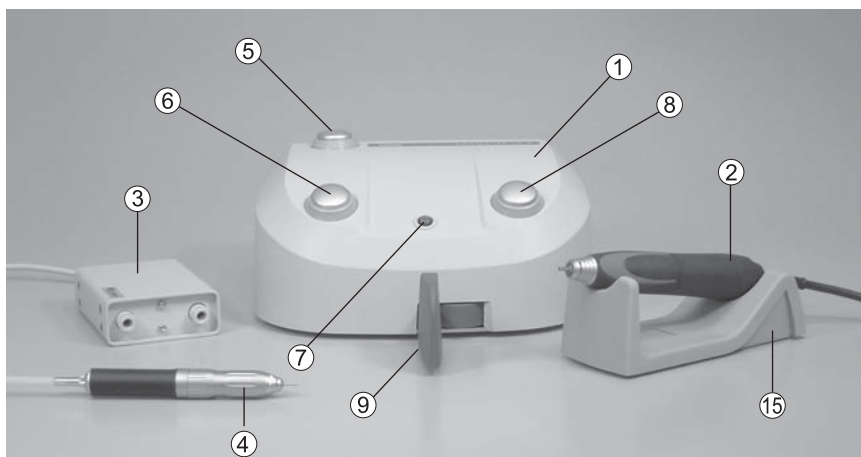
- Para su propia seguridad, lea este manual antes del uso del equipo.
- Use un protector visual.
- Reemplace inmediatamente la fresa en mal estado.
- Use siempre elementos de protección y gafas de seguridad.
- No apriete excesivamente la tuerca de la fresa.
- Use sólo las bridas suministradas con el equipo.
- **RETIRE LAS LLAVES Y HERRAMIENTAS DE AJUSTE.** Acostúmbrese a verificar que las llaves y herramientas de ajuste están retiradas del equipo antes de que éste sea activado.
- **MANTENGA LIMPIO EL SITIO DE TRABAJO.** Las mesas y lugares desordenados invitan los accidentes.
- **NO USAR EN UN AMBIENTE PELIGROSO.** No use el equipo en un sitio mojado o húmedo, ni lo exponga a la lluvia. Mantenga el área de trabajo bien iluminado.
- **Riesgo de lesión debido al arranque accidental.** No use el equipo en un sitio donde pueda encontrarse un niño.
- **NO MANEJE FORZADAMENTE EL EQUIPO.** El equipo rendirá al máximo y con mayor seguridad si lo usa de acuerdo con las normas especificadas.
- **USE EL EQUIPO CORRECTAMENTE.** No utilice el equipo o el accesorio para un trabajo no especificado.
- **LLEVE LA VESTIMENTA ADECUADA.** No se vista con una ropa floja, ni use guantes holgados, no lleve corbatas, anillos, brazaletes ú otras joyas que puedan quedar atrapados en las partes móviles. Se recomienda usar calzado antideslizante. Para el cabello largo, se recomienda atar y cubrirlo debidamente.

- **SIEMPRE USE GAFAS DE SEGURIDAD.** Los anteojos de uso común son únicamente resistentes a ciertos impactos, y NO son gafas de seguridad. Use también una máscara protectora si el sitio de trabajo está polvoriento.
- **TRABAJO SEGURO.** Use abrazaderas o una mordaza de mesa para la sujeción de la pieza de trabajo. Esta práctica asegura un trabajo más seguro y conveniente.
- **MANTENGA ADECUADAMENTE LAS HERRAMIENTAS.** Mantenga limpias las herramientas para obtener el óptimo rendimiento y reducir cualquier posibilidad de accidente personal. Siga las instrucciones para la lubricación y reemplazo de los accesorios.
- **DESCONECTE LAS HERRAMIENTAS** antes del servicio de mantenimiento, en el cambio de los accesorios, tales como las cuchillas, brocas, cortadoras, etc.
- **REDUZCA EL RIESGO DEL ARRANQUE ACCIDENTAL.** Asegúrese de que el interruptor esté en la posición OFF antes de su conexión.
- **USE LOS ACCESORIOS RECOMENDADOS.** Refiérase al manual del propietario para los accesorios recomendados. El uso de los accesorios inadecuados puede causar riesgo de accidente personal.
- **NUNCA DEJE LA HERRAMIENTA FUNCIONANDO EN ESTADO ABANDONADO. PONGA EL INTERRUPTOR EN OFF.** No abandone el equipo hasta que se detenga completamente.
- Para la velocidad de operación recomendada según las aplicaciones, sírvase seguir las instrucciones de los fabricantes de fresas o brocas.
- El sistema funciona normalmente en ambientes donde la temperatura es de 0 a 40°C, la humedad de 10 a 85% RH y sin condensación de humedad en la unidad. El uso fuera de estos límites pueden causar mal funcionamiento.
- Guarde el sistema en un lugar donde la temperatura es de -10 a 60°C, la humedad de 10 a 85% RH, y la presión atmosférica de 500 a 1060hPa. Además, el sistema no debe estar expuesto al polvo, sulfuro o salinidad.
- Golpe severo– Por ejemplo, la caída de la Unidad de Control o el Micromotor puede causar daños.
- No gire el anillo de bloqueo de la fresa durante la rotación de la pieza de mano.
- No ponga en funcionamiento el motor cuando el anillo de seguridad de la fresa esté en la posición OPEN, o cuando la fresa no esté montada en el mandril de la pieza de mano. Esto puede causar desconexión del motor / pieza de mano o una repentina generación térmica.
- La activación del Interruptor Automático significa que se ha aplicado al motor una carga de trabajo que excede la capacidad del mismo. Este interruptor automático ha sido diseñado para proteger el motor, no obstante se recomienda realizar las tareas sin que accione este interruptor automático.
- Debe tenerse cuidado de no dejar caer al suelo la pieza de mano del micromotor para evitar posibilidad de daño por golpe.
- No desensamble ni modifique el producto usted mismo.
- Tenga cuidado de no sufrir lesiones con el afilador ni con la fresa.
- Cuando sustituya el fusible, asegúrese de que lo hace por otro del tipo e índice correctos.

C. Instrucciones Importantes y Advertencia sobre el ULTIMATE XL-F.

- Tanto el motor como la pieza de mano no requieren lubricación porque cuentan con rodamientos impregnados en grasa.
- Utilice sólo el cable de alimentación original. En caso de daños, póngase en contacto con el centro de atención al cliente de NSK / Nakanishi.
- Los equipos deberán enviarse al fabricante para su revisión / reparación.

1. Denominación de los Componentes



- ① Unidad de Control
- ② Motor y Pieza de Mano
- ③ Adaptador de Turbina Neumática (Opcional)
- ④ Turbina Neumática (Opcional)
- ⑤ Interruptor de Energía
- ⑥ Selector Turbina/Motor
- ⑦ Indicador de Encendido
- ⑧ Selector Rotación Directa/Inversa
- ⑨ Pedal Control de Velocidad
- ⑩ Selector de Velocidad Máxima
- ⑪ Selector Crucero Automático
- ⑫ Conector para Adaptador de Turbina
- ⑬ Conector del Cable del Motor
- ⑭ Caja de Fusibles
- ⑮ Soporte de la Pieza de Mano

2. Método de instalación de Unidad de Control

(1) Montaje del Motor

Inserte la ficha del cable del motor haciendo coincidir la guía de posición con la ranura del ⑬ Conector del Cable del Motor, que se encuentra detrás de la unidad y ajuste la tuerca de la ficha del cable del motor (Fig. 1)



Fig. 1

(2) Conexión del cable de energía

Inserte firmemente la ficha del cable de energía en el Conector para el cable de energía que se encuentra en la parte trasera de la unidad ajustándose a la forma de la ficha. (Fig. 2)



Fig. 2

(3) Montaje de la turbina neumática (Opcional)

Inserte la ficha del ⑬ Adaptador de Turbina en el ⑫ Conector que se encuentra en la parte posterior de la unidad. (Fig.3)

Conecte las 2 mangueras del ⑬ Adaptador de Turbina a las entradas para el pedal en el kit de la línea de aire. (Fig.4)

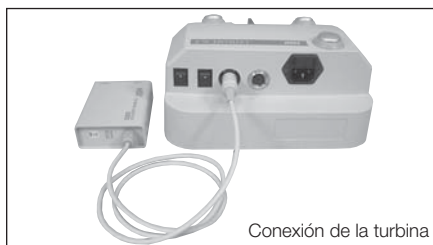
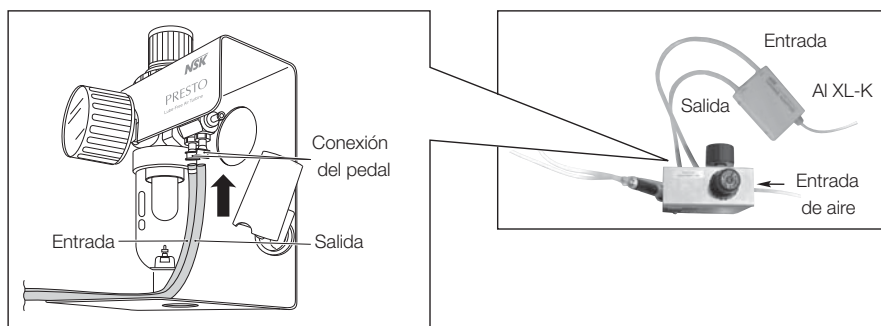


Fig. 3



Boca de inserción para la conexión del pedal

Fig. 4

3. Procedimiento de Uso

- ① Conecte el cable de energía al tomacorriente.
- ② Ajuste la velocidad máxima de rotación con el ⑩ Selector de Velocidad Máxima. Con el selector hacia abajo, se limita la velocidad máxima en 30.000 min⁻¹. La velocidad máxima en la posición superior es de 40.000 min⁻¹.
- ③ Seleccione el crucero automático o la operación variable con el ⑪ Interruptor Crucero Automático.
- ④ Al pulsar el ⑤ Interruptor de Energía se enciende el ⑦ Indicador de Encendido.
- ⑤ Al empujar hacia la derecha el ⑨ Pedal Control de Velocidad se inicia la rotación del motor. La velocidad de rotación se controla en forma variable, dentro del rango de la velocidad máxima ajustada, según el grado de empuje del pedal.
- ⑥ Para la rotación inversa pulse el ⑧ Selector de Rotación Directa/Inversa.

※ Mecanismo del crucero automático

Para hacer funcionar el motor en una velocidad fija sin pulsar el ⑨ Pedal Control de Velocidad, posicione el ⑪ Selector Crucero Automático en AUTO y pulse el ⑨ Pedal Control de Velocidad durante más de un segundo, y se mantendrá la velocidad aunque aleje su pie del pedal. Para detener esta función, pulse nuevamente el pedal (si esta función es innecesaria, oprima el ⑪ Selector Crucero Automático a la posición OFF).

4. Procedimiento de Operación de la Turbina Neumática (Opcional)

- ① Cada vez que se pulse el ⑥ Selector Motor/Turbina se conmuta de motor a la turbina y viceversa.
- ※ En caso que no esté conectada la turbina, suena el “pip” y no se produce ningún cambio aún cuando se pulse el ⑥ Selector Motor/Turbina.
- ②
 - Cuando el Crucero Automático está en ON:
La turbina gira al pulsar el ⑨ Pedal Control de Velocidad. La turbina se detiene al liberar el pedal.
 - Cuando el Crucero Automático está en OFF:
Al pulsar el ⑨ Pedal Control de Velocidad, y después de hacer girar la turbina durante más de 1 segundo, continuará girando aunque se libere el pedal.
- ※ Aunque se pulse el ⑧ Selector Rotación Directa/Inversa durante el uso de la turbina neumática, la acción es ignorada escuchándose sólo el pitido de sonido electrónico.
- ③ Para utilizar nuevamente el micromotor, vuelva a pulsar el ⑥ Selector Motor/Turbina .

5. Circuito de Protección del Motor

Cuando el motor es operado con una carga que exceda el límite o con la pieza de mano sin girar, se activa el circuito que protege el motor y la unidad y se interrumpe el suministro de energía al motor, por lo cual se apagará el ⑦ Indicador de Encendido.

Método de liberación del circuito de protección

Puede liberarlo con pulsar nuevamente el Pedal Control de Velocidad, después de eliminar la causa que ha provocado su activación.

6. Función Memoria

Al conectarse el ⑤ Interruptor de Energía, la dirección de la rotación y la selección de Motor/Turbina reanuda el estado de funcionamiento cuando se ha interrumpido la energía en la última ocasión de uso. Debe prestarse atención especial al sentido de rotación seleccionado.

7. Cuando se Produzca Una Anormalidad

Al producirse una anomalía en la unidad o en el motor, se interrumpe la alimentación de energía al motor y parpadea el ⑦ Indicador de Energía. Contrariamente a la detención por la activación del circuito de protección, el motor no funciona aunque vuelva a empujarse el pedal. En el caso de producirse este síntoma, debe solicitarse la reparación.

8. Método de Reemplazo del Fusible

El portafusibles está dentro de la ④ Caja de Fusibles. El fusible puede desmontarse y revisarse, mediante su extracción oprimiendo simultáneamente hacia el lado interior las uñas izquierda y derecha del portafusibles.

En el caso de estar quemado el fusible, debe reemplazarse por uno nuevo y colocar el portafusibles en la posición original. (Fig.5)



Fig.5

※ Fusible : Código de pedido (120V) : 1202225010 (T2.5AH 250V)

※ Fusible : Código de pedido (230V) : 1202216010 (T1.6AH 250V)



PRECAUCIÓN

El fusible se quema cuando se produce un corto circuito o cuando un sobrevoltaje fluye dentro de la fuente de energía primaria. Si la causa es desconocida, retorne el producto al servicio de NSK autorizado cercano a su domicilio para su inspección y reparación.

9. Modo de Acoplar con el Colector de Vacío

En algunas consolas dentales con colector de polvo de vacío, el motor puede ser usado acoplado con este colector. En caso de ser usado el colector de vacío*, el consumo de energía del ULTIMATE XL-F puede ser regulado para que funcione acoplado con el colector. Si Ud. Necesita acoplar con el colector de polvos de vacío, seleccione el modo de la siguiente manera:

Forma de seleccionar el modo

Ponga en OFF el ④ Interruptor de Energía. Mantenga presionado el ⑦ Selector de Rotación Directa/Inversa y ponga en ON el Interruptor de Energía. Un largo sonido “pip” le indicará que pasa al modo acoplado con el colector de vacío, 2 cortos sonidos “pip.pip” indica que pasa al modo no acoplado con el colector de vacío (ahorro de energía).

* Cada vez que se realice la selección, cambia al modo acoplado y al modo no acoplado con el colector de vacío.

* El colector de vacío corrientemente conocido es el EWL-560 fabricado por KaVo.

10. Método de Operación del Motor y Pieza de Mano

(1) Colocación y desmontaje de la fresa.

Al girar el anillo de bloqueo en dirección de apertura de la flecha, hasta oír el chasquido de apertura, se afloja el mandril y puede desmontarse la fresa. Al girar el anillo en dirección de bloqueo, se cierra el mandril y se asegura la fresa, en este caso también debe girarse el anillo de bloqueo hasta que se escuche el chasquido. (Fig. 6)

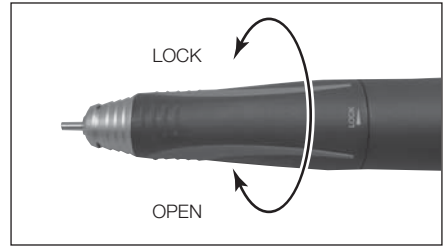


Fig. 6



PRECAUCIÓN

- No gire el anillo de bloqueo con el motor en funcionamiento.
- No ponga el motor en funcionamiento cuando la fresa no está colocada en el mandril ó cuando el anillo de bloqueo está en posición de abierto. Esto puede ser causa de averías ó sobrecalentamiento de la pieza de mano.

(2) Limpieza y reemplazo del mandril

(1) Desmontaje del mandril

Con el anillo de bloqueo en posición abierto, el mandril se desmonta girando el mismo en sentido antihorario con la llave inglesa proporcionada con el equipo. (Fig. 7)

- ※ Si la fresa tiene una gran superficie de corte y es usada bajo condiciones de elevado torque, el mandril puede girar en dirección de cierre y existe la posibilidad de que la fresa se quede atascada, e impida su desmontaje. En este caso, se hace coincidir la hendidura del morro y la parte del husillo (parte plana) donde se aplica la llave inglesa, y se fija el husillo utilizando la llave tipo L. Abra el anillo de bloqueo y gire el mandril en sentido antihorario con la llave inglesa proporcionada con el equipo. (Fig. 8)

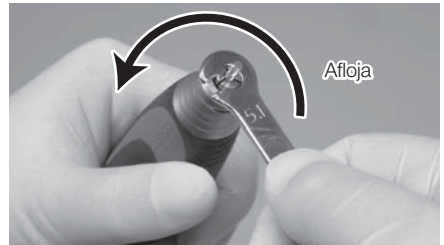


Fig. 7

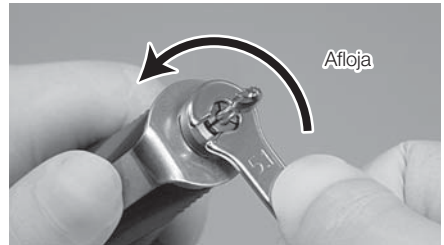


Fig. 8

(2) Limpieza del mandril

Para mantener la precisión del mandril, debe realizarse la limpieza con frecuencia desmontando el mandril y realizando la limpieza con un aparato de lavado ultrasónico, si es posible. Para que pueda utilizarse con seguridad, se recomienda limpiar por lo menos una vez por semana.



PRECAUCIÓN

Al no cumplirse con la limpieza del mandril por tiempo prolongado, se acumula la cera y el yeso dentro del mandril y es sumamente peligroso al quedar en un estado de amordazamiento deficiente y descentralización de la fresa.

(3) Montaje del mandril

En el momento del montaje, aplique aceite como para que se adhiera apenas una capa en la parte cónica del mandril. Ponga el anillo de bloqueo en la posición abierta y con la fresa de prueba o la fresa en uso insertada, gire el mandril con los dedos en sentido horario hasta que se detenga. Entonces, cierre el anillo de bloqueo, y se obtendrá una fuerza de ajuste suficiente del mandril que ajustará la fresa con seguridad. (Fig. 9)



Fig. 9

⚠ PRECAUCIÓN

Antes de utilizar la pieza de mano, hale el instrumento rotatorio (fresa, etc.) para comprobar que esté fijado con seguridad.

(3) Separación y conexión del motor y del cable del motor

Al quitar la tuerca del cable del motor del extremo posterior del motor, puede extraerse el conector del cable del motor. Para la conexión, se hacen coincidir las patillas del conector y los orificios del conector del cable del motor y se inserta derecho el conector del cable del motor hasta que haga tope. Luego se ajusta la tuerca del cable del motor. (Fig. 10)

※ Al insertar el conector del cable del motor, no debe girarse ni retorcerse.



Fig. 10

(4) Separación de la pieza de mano y el motor

La pieza de mano y el motor están unidos por una rosca intermedia. Para separarlos, sujete firmemente las carcasas externas del motor y de la pieza de mano, y gire ésta en sentido antihorario para su desconexión. (Fig. 11).



Fig. 11

⚠ PRECAUCIÓN para el montaje de la pieza de mano

Cuando monte la pieza de mano al motor, enrósquela en sentido horario y ajústela firmemente. Si los ejes de transmisión de ambas partes no engranan adecuadamente, la pieza de mano no podrá ser ajustada en forma completa. En este caso, NO LA FUERCE. Afloje la pieza de mano y gire la fresa ligeramente para reposicionar el eje. Reconecte la pieza de mano y ajústela con firmeza. (Fig. 12).

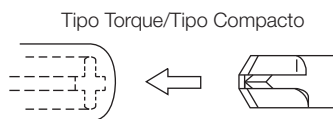


Fig. 12

11. Especificaciones

Unidad Control

Modelo	NE230
Fuente de energía	AC120V 50-60Hz AC230V 50-60Hz
Índice de potencia	46VA
Peso	3,8kg
Dimensiones	W230x D292x H113mm

Soporte del Micromotor y Pieza de Mano

Model	Soporte del Micromotor y Pieza de Mano
Peso	120g

Micromotor y Pieza de Mano

1) Tipo Torque

Modelo	UMXL-T(P) / UMXL-T(P) 2M
Velocidad de rotación	1.000~40.000 min ⁻¹
Torque Máximo	8,7 N · cm
Peso	215g (sin incluir el cable)
Dimensiones	L151x ø 29mm
Longitud del cable	2,0m

2) Tipo Compacto

Modelo	UMXL-C 2M
Velocidad de rotación	1.000~40.000 min ⁻¹
Torque Máximo	6 N · cm
Peso	181g (sin incluir el cable)
Dimensiones	L144 x ø27mm
Longitud del cable	2,0m

12. Soluciones de Problemas

Por favor, chequee los siguientes puntos antes de retornar el instrumento para su reparación.
(Unidad Control - Motor)

Síntomas	Causas/Verificaciones	Solución
El Indicador de Energía no se enciende.	Cheque que el cable de energía esté conectado.	Inserte el enchufe de energía correctamente.
	Chequee que los fusibles no estén quemados.	Reemplácelo con el fusible específico. Si desconoce la causa que ha quemado el fusible, pida su inspección.
	Chequee si el Interruptor de Energía está funcionando adecuadamente.	Solicite su reparación.
El motor y la pieza de mano no funcionan. El Indicador de Energía parpadea.	El Indicador de Energía inicia el parpadeo enseguida que se acciona el pedal.	El problema ocurrirá si la señal proveniente del motor no es transmitida a la unidad control. Chequee el cable del motor de nuevo para determinar si está dañado y se conecta correctamente. Si el cable está dañado o la causa no es determinada, solicite su reparación.
	El motor y la pieza de mano giran después de accionar varias veces el pedal.	El problema podría ser del circuito del freno. Solicite su reparación.
	El motor la pieza de mano giran enseguida después de accionar nuevamente el pedal.	El problema puede provenir por la activación del circuito de detección de exceso de voltaje. Deje descansar el motor durante unos minutos.

(Unidad Control - Motor)

Síntomas		Causas/Verificaciones	Solución
El motor y la pieza de mano no funcionan. El Indicador de Energía parpadea.	El Indicador de Energía se encendió a los 5 a 6 segundos después de accionar el pedal.	Chequee que el anillo de bloqueo del mandril no está abierto.	Coloque el anillo de bloqueo del mandril en posición de cerrado.
		Intente girar la fresa con su dedos.	Si la fresa no gira, debe estar afectado el motor o la pieza de mano. Solicite su reparación.
	El motor y la pieza de mano se detiene bajo una sobrecarga de trabajo.	Regresa a la normalidad al intentar de nuevo.	Se activó el circuito de protección. Use el equipo de forma que no se active el circuito de protección.
	El Indicador de Energía parpadea aunque se reinicie con el Interruptor de Energía.	La unidad está caliente al toque.	Detenga el funcionamiento del equipo y déjelo enfriar en un lugar fresco durante unos 10 minutos. Después chequee el funcionamiento, y si opera normalmente, ello no es un problema.
	La unidad no está caliente al toque.	Hay un funcionamiento defectuoso en la memoria interior. Solicite su reparación.	

(Pieza de mano)

Síntomas		Causas/Verificaciones	Solución
No gira con el mandril cerrado	Existe ingreso de materias extrañas dentro del rodamiento, ó atascamiento, etc.	Solicite su reparación	
Se calienta durante la rotación	La entrada de materias extrañas dentro del rodamiento produce daños en el mismo.	Solicite su reparación	
Produce vibraciones o emite ruidos durante la rotación	La entrada de materias extrañas dentro del rodamiento produce daños en el mismo.	Solicite su reparación	
	Uso de fresa doblada.	Reemplace la fresa	
La descentralización de la fresa es muy pronunciada.	Puede existir la incrustación de suciedad dentro del mandril o del husillo.	Haga la limpieza dentro del mandril y el husillo.	
	Desgaste del mandril	Reemplace el mandril	
	Desgaste del rodamiento.	Solicite su reparación	
La fresa se desprende.	El mandril está flojo.	Ajuste firmemente el mandril (Vea 10. Método de operación del motor y de la pieza de mano.)	

13. Deshecho de Producto

Favor consultar a su distribuidor autorizado, de donde había comprado, para el deshecho.

Italiano

NSK

Micromotore da Laboratorio

ULTIMATE XL-F


MANUALE D'USO



Vi ringraziamo per avere acquistato ULTIMATE XL-F.

Prima dell'uso vi raccomandiamo di leggere a fondo il presente manuale riguardante l'utilizzo, il maneggio, la manutenzione e le ispezioni dell'apparecchio, tenendolo quindi a portata di mano affinché sia prontamente consultabile in caso di necessità.

INDICE

 ISTRUZIONI E AVVERTENZE IMPORTANTI sugli apparecchi elettrici.....	62
1. Denominazione delle parti	65
2. Modalità di collegamento delle varie parti	66
3. Modalità d'uso	67
4. Procedure operative della turbina ad aria (opzionale)	67
5. Circuito di protezione	67
6. Memoria	68
7. In caso di anomalie	68
8. Modalità di sostituzione del fusibile	68
9. Modalità Vacuum-coupled	68
10. Modalità d'uso del motore e del manipolo	69
11. Caratteristiche tecniche	71
12. Guasti e Soluzioni	71
13. Disposizione del prodotto	72

⚠️ ISTRUZIONI E AVVERTENZE IMPORTANTI sugli apparecchi elettrici

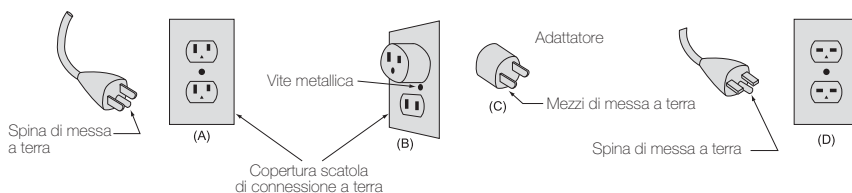
⚠️ AVVERTENZA!

L'uso degli apparecchi elettrici esige il rispetto delle fondamentali norme di sicurezza per ridurre i rischi d'incendio, scossa elettrica e lesioni fisiche. Prima di usare questo apparecchio vi raccomandiamo di leggere a fondo le istruzioni di seguito fornite e di tenerle sempre a portata di mano per pronta consultazione.

A. ISTRUZIONI PER LA MESSA A TERRA

1. In caso di malfunzionamento o di guasto, la corretta messa a terra dell'apparecchio fornisce una via a bassa resistenza elettrica per ridurre il rischio di shock elettrico. Il cavo di alimentazione dell'apparecchio è provvisto altresì di filo e di spina con polo di messa a terra. Tale spina deve quindi essere inserita in una presa adeguatamente installata e messa a terra in ottemperanza alle leggi e ai regolamenti locali.
2. Non si devono apportare modifiche alla spina del cavo fornito in dotazione; se essa non si adatta alle prese elettriche disponibili nel luogo di lavoro è necessario richiedere a un elettricista qualificato d'installarne una adatta.
3. Un conduttore di terra non correttamente collegato può essere causa di shock elettrico. Normalmente tale conduttore è verde con o senza strisce gialle. Qualora si renda necessario provvedere alla riparazione o alla sostituzione del cavo di alimentazione o della spina, si raccomanda di non collegare il conduttore di terra al contatto sotto tensione.
4. Se le istruzioni sulla messa a terra non sono chiare, oppure sussistono dubbi sull'adeguatezza della messa a terra eseguita, si raccomanda di rivolgersi a un elettricista qualificato.
5. Per il collegamento di alimentazione utilizzate solo cavi di prolunga a tre fili che abbiano la spina a tre poli che si adatti alla presa.
6. Questo apparecchio è stato studiato per l'utilizzo in un circuito dotato di presa simile a quella illustrata nella Figura A (sotto) (120V). L'apparecchio è dotato di una spina di messa a terra simile a quella illustrata nella Figura A (sotto). Se non fosse disponibile una presa di messa a terra appropriata, per collegare la spina dell'apparecchio ad una presa a 2 poli come quella di Figura B deve essere utilizzato un adattatore provvisorio che è simile a quello illustrato nelle Figure B e C. L'adattatore provvisorio va utilizzato solo fino a quando una appropriata presa di messa a terra non venga installata da un elettricista qualificato. Il conduttore rigido verde che si estende dall'adattatore deve essere collegato ad una messa a terra permanente, come una scatola di presa a terra appropriata.

Messa a Terra



7. USARE SEMPRE UNA PROLUNGA ADATTA. Essa deve inoltre essere in ottime condizioni ed essere abbastanza potente per sopportare la corrente di alimentazione richiesta dall'apparecchio. L'impiego di un cavo sottodimensionato potrebbe causare una caduta di tensione e, di conseguenza, una perdita di potenza e surriscaldamento. La tabella che segue riporta la corretta dimensione del cavo in funzione della lunghezza e dell'ampereaggio. In caso di dubbio è raccomandabile usare la misura successiva più potente. Più piccolo è il calibro più potente è il cavo.
8. Posizionare l'apparecchio in modo tale che in caso di emergenza il cavo di alimentazione possa essere rapidamente estratto. Non si deve collocare alcun oggetto a meno di 10 cm dall'unità.

Sezione minima del cavo

Amperaggio		Voltaggio	Lunghezza totale del cavo			
		120 V	7,5m(25 piedi)	15m(50 piedi)	30m(100 piedi)	45m(150 piedi)
		240 V	15m(50 piedi)	30m(100 piedi)	60m(200 piedi)	90m(300 piedi)
Più di	Non più di	Cavo Numero				
0	6	#18	#16	#16	#14	#14
6	10	#18	#16	#16	#14	#12
10	12	#16	#16	#16	#14	#12
12	16	#14	#12	Non raccomandato		

B. ULTERIORI AVVERTENZE E ISTRUZIONI

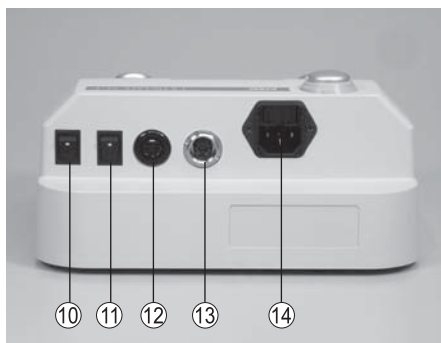
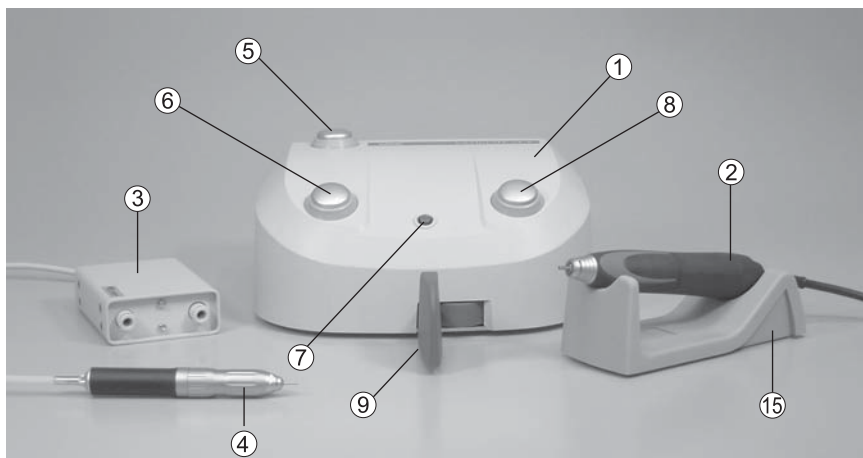
- Per la propria sicurezza, prima d'impiegare l'apparecchio si raccomanda di leggerne il manuale d'uso.
- Proteggere gli occhi.
- Sostituire immediatamente un ingranaggio rotto.
- Si deve sempre usare uno schermo protettivo per gli occhi.
- Non serrare eccessivamente il dado.
- Usare esclusivamente la flangia fornita.
- RIMUOVERE LE CHIAVI DI REGOLAZIONE. Controllare abitualmente che le chiavi siano rimosse dall'apparecchio prima di accenderlo.
- TENERE SEMPRE PULITA L'AREA DI LAVORO. Un tavolo di lavoro disordinato può infatti favorire gli incidenti.
- NON USARE L'APPARECCHIO IN AMBIENTI PERICOLOSI, in luoghi umidi o bagnati o sotto la pioggia. Illuminare bene l'area di lavoro.
- In caso di avvio accidentale dell'apparecchio vi è il rischio di lesioni fisiche. Non impiegare con bambini nelle vicinanze.
- NON ESERCITARE FORZA ECCESSIVA SULLO STRUMENTO. L'uso dell'apparecchio nelle condizioni operative previste fornisce prestazioni migliori ed è inoltre più sicuro.
- USARE L'APPARECCHIO IN MODO APPROPRIATO. Non forzare il dispositivo o gli accessori per eseguire lavori per cui non è stato concepito.
- INDOSSARE ABBIGLIAMENTO ADEGUATO. In particolare non indossare un abbigliamento eccessivamente ampio né guanti, cravatte, anelli, braccialetti o altri oggetti che possano in qualche modo incastrarsi negli ingranaggi in rotazione. Si raccomanda inoltre di usare calzature antiscivolo e di raccogliere i capelli lunghi in una cuffia.

- **INDOSSARE SEMPRE OCCHIALI DI PROTEZIONE.** Benché i normali occhiali da vista possano garantire una certa resistenza all'impatto, NON sono da considerarsi occhiali di sicurezza. Se l'operazione di taglio genera polvere si suggerisce inoltre l'uso di una maschera.
- **LAVORO IN SICUREZZA.** Fissare il lavoro con morsetti è più sicuro che tenerlo con una mano, si avranno inoltre le mani libera per una migliore gestione dell'apparecchio.
- **ACCURATA MANUTENZIONE DEGLI STRUMENTI.** Affinché garantiscano prestazioni ottimali e riducano il rischio di lesioni fisiche li si deve sempre mantenere puliti e affilati. Si raccomanda inoltre di osservare scrupolosamente le istruzioni di lubrificazione e di sostituzione.
- **RIMUOVERE GLI STRUMENTI DAL MANIPOLO** prima d'intervenire in qualsiasi modo sugli strumenti di taglio (ad esempio manutenzione o cambio delle lame, delle punte o delle frese).
- **RIDURRE IL RISCHIO DI AVVIO ACCIDENTALE DEL MANIPOLO.** Prima d'inserire la spina di alimentazione nella presa di rete ci si deve accertare che il tasto di accensione del manipolo si trovi nella posizione di spegnimento (OFF).
- **USARE ESCLUSIVAMENTE GLI ACCESSORI RACCOMANDATI.** Essi sono indicati nel manuale d'uso. L'uso di accessori non adatti può infatti causare lesioni fisiche.
- **NON LASCIARE MAI L'APPARECCHIO ACCESO INCUSTODITO.** Non ci si deve inoltre allontanare dallo strumento sino a quando si è completamente arrestato.
- Per informazioni sulle velocità impiegabili nelle varie applicazioni si raccomanda di seguire le istruzioni d'uso delle frese.
- L'apparecchio opera correttamente a temperature comprese tra 0 e 40°C, a umidità relative comprese tra il 10 e l'85% e in assenza di condensa interna. L'impiego dell'apparecchio in condizioni diverse potrebbe dar luogo a malfunzionamenti.
- L'apparecchio deve essere conservato a temperature comprese tra -10 e 60°C, a umidità relative comprese tra il 10 e l'85%, a pressioni atmosferiche comprese tra 500 e 1060 hPa e in atmosfera non polverosa né salina o contenente zolfo.
- Un impatto violento, ad esempio la caduta dell'unità di controllo o del micromotore, può dar luogo a danneggiamenti.
- Non si deve intervenire sull'anello di controllo del mandrino mentre il motore è in rotazione.
- Lo scatto dell'interruttore automatico significa che il motore è stato sottoposto a un carico eccessivo. Lo scopo di questo interruttore è proteggere il motore e ogni condizione che ne determina lo scatto dovrebbe sempre evitata.
- Si deve evitare di lasciar cadere il manipolo a terra o su superfici comunque dure, poiché un tale impatto lo potrebbe danneggiare.
- Non smontare o modificare il prodotto da soli.
- Fare attenzione a non rimanere lesionati dalla molatrice o dalla fresa.
- Assicurarsi di sostituire il fusibile con uno dello stesso tipo e potenza.

C. Istruzioni e avvertenze importanti sull'uso di ULTIMATE XL-F

- Né il motore né il manipolo devono essere lubrificati, poiché i loro cuscinetti sono già impregnati di grasso.
- Utilizzare solo con un cavo originale di alimentazione. Se danneggiato, contattare NSK / Centro di assistenza di Nakanishi.
- Attrezzatura da spedire come reso al produttore per assistenza / riparazione.

1. Denominazione delle parti



- ① Unità di controllo
- ② Manipolo a motore
- ③ Adattatore per turbina (opzionale)
- ④ Turbina ad aria (opzionale)
- ⑤ Interruttore principale
- ⑥ Interruttore selezione motore/turbina
- ⑦ Indicatore di alimentazione
- ⑧ Selettore avanti/indietro
- ⑨ Pedale controllo velocità
- ⑩ Selettore velocità motore
- ⑪ Selettore controllo velocità automatica (funzione "auto-cruise")
- ⑫ Connettore adattatore turbina
- ⑬ Presa motore
- ⑭ Porta fusibili
- ⑮ Supporto manipolo

2. Modalità di collegamento delle varie parti

(1) Collegamento del motore

Allineare ed inserire l'attacco del motore nella

⑬ Presa del motore e avvitare la ghiera fino in fondo (Fig. 1)



Fig. 1

(2) Collegamento del cavo di alimentazione

Inserire la spina del cavo d'alimentazione nella

⑭ Porta fusibili posta sulla parte posteriore dell'unità ed allinearla secondo la configurazione (Fig. 2).



Fig. 2

(3) Collegamento della turbina ad aria (opzionale)

Inserire la spina dell' ③ Adattatore a turbina nel corrispondente ⑫ Connettore ubicato sul lato posteriore dell'unità di controllo. (Fig. 3)

Collegare i due cavi dell' ③ Adattatore Turbina all'interno della presa d'ingresso per il collegamento del pedale. (Fig.4)



Fig. 3

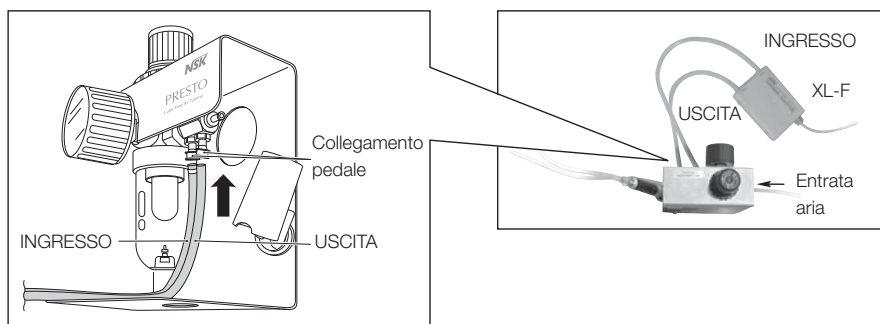


Fig. 4

3. Modalità d'uso

- ① Collegare il cavo di alimentazione in una presa.
- ② Con l'⑩ Interruttore velocità motore impostare la velocità massima. (ON: 35.000 rpm; OFF 30.000 rpm).
- ③ Selezionare la modalità di velocità automatica o variabile attraverso ⑪ l'interruttore di controllo velocità automatica.
- ④ Accendere ⑤ l'interruttore principale e controllare che l' ⑦ Indicatore di alimentazione si accenda.
- ⑤ Premere verso destra il ⑨ Pedale di controllo velocità per avviare il motore. La velocità di rotazione può essere controllata in relazione al grado di pressione effettuata sul pedale di controllo velocità.
- ⑥ Ogni volta che si preme ⑧ l'interruttore di selezione avanti/indietro (8) si può cambiare la direzione (avanti/indietro).

※ Funzione Auto-cruise

Per avviare il motore a velocità costante senza premere ? il pedale di controllo velocità, premere ? l'interruttore di controllo velocità automatica su "Auto" e mantenere premuto il ? pedale di controllo velocità per un secondo ad una velocità adeguata. Per annullare, premere di nuovo il pedale (se necessario, spegnere il meccanismo di controllo velocità automatica).

4. Procedure operative della turbina ad aria (opzionale)

- ① Ogni volta che si preme ⑥ l'interruttore di selezione motore/turbina, il motore e la turbina cambiano direzione.
- ※ Quando la turbina non è collegata, la pressione del tasto produce un segnale acustico senza tuttavia eseguire alcuna operazione.
- ②
 - Nel caso in cui il meccanismo di controllo velocità automatico è spento:
Premere il ⑨ pedale di controllo velocità per far ruotare la turbina. Smettendo di premere il pedale, la turbina smetterà di conseguenza a funzionare.
 - Nel caso in cui il meccanismo di controllo velocità automatica è acceso:
Premere il ⑨ pedale di controllo della velocità per un secondo. La turbina continuerà a funzionare anche se il pedale viene rilasciato. Per annullare, premere di nuovo il pedale.
- ※ Nel caso in cui ⑧ l'interruttore di selezione avanti/indietro venga premuto durante il funzionamento della turbina ad aria, questo verrà trascurato ed indicato da un segnale acustico.
- ③ Premere di nuovo ⑥ l'interruttore di selezione motore/turbina per avviare il motore.

5. Circuito di protezione

Quando il motore funziona con un carico superiore al limite previsto o il manopolo non ruota, il circuito di protezione arresta l'alimentazione al motore per proteggere il motore e l'unità.

A causa di ciò, ⑦ l'indicatore di alimentazione si accende e si spegne.

Come resettare il circuito di protezione

Il circuito di protezione può essere riattivato premendo di nuovo il ⑨ pedale di controllo velocità dopo aver eliminato la causa di errore.

6. Memoria

Accendendo l'interruttore principale vengono ripristinate la direzione di rotazione e la selezione motore/turbina memorizzate al momento dello spegnimento. Prestare particolare attenzione alla direzione di rotazione.

7. In caso di anomalie

In caso avvengano problemi con il motore o l'unità, l'alimentazione fornita al motore verrà interrotta e ⑦ l'indicatore di alimentazione inizierà a lampeggiare. A differenza di quando è bloccato dal circuito di protezione, il motore non riprenderà a funzionare, nemmeno premendo il pedale. In caso si verifichi un problema simile, richiederne la riparazione.

8. Modalità di sostituzione del fusibile

Il fusibile è situato nel ⑭ porta fusibili. Liberare il morsetto del nottolino situato nella parte alta e bassa del porta fusibili, estrarlo per cambiare il fusibile (Fig. 5).

In caso di bruciatura del fusibile, inserire un nuovo fusibile nell'apposito alloggiamento e spingere la scatola del fusibile nella posizione originale fino a sentire un click. Usare fusibili di caratteristiche identiche a quelle specificate.



Fig.5

※ Fusibile: Codice d'ordine (120V): 1202225010 (T2.5AH 250V)

※ Fusibile: Codice d'ordine (230V): 1202216010 (T1.6AH 250V)



ATTENZIONE!

La bruciatura del fusibile si verifica in caso di cortocircuito o quando il voltaggio del sistema di alimentazione è troppo elevato. Qualora non si conosca la causa del guasto si raccomanda di richiedere il controllo dell'apparecchio al servizio tecnico NSK autorizzato.

9. Modalità Vacuum-coupled

Sul piano di lavoro provvisto di un sistema di aspirazione della polvere si può usare contemporaneamente il motore. Quando si usa tale sistema di aspirazione* è possibile regolare il consumo elettrico di ULTIMATE XL-F così da rendere operativa l'aspirazione sincronizzata. Per attivare la modalità Vacuum-coupled procedere nel modo di seguito illustrato:

Come selezionare la modalità

Tenendo premuto il ?Selettore Avanti/Indietro accendere l'apparecchio con l'?Interruttore di alimentazione e la modalità sarà selezionata. Un lungo segnale acustico indica l'attivazione della modalità, mentre 2 brevi segnali acustici indicano che si è tornati alla modalità non-coupling (risparmio energetico).

* Ogni volta che si preme il tasto si ottiene la commutazione tra le due modalità.

* Per il momento il corretto funzionamento di questa funzione è stato accertato con il modello EWL-560 prodotto da KAVO.

10. Modalità d'uso del motore e del manipolo

(1) Inserimento e rimozione della fresa

Per aprire il mandrino ruotare l'anello di bloccaggio della fresa in direzione "OPEN". Il mandrino si allenta ed è possibile rimuovere la fresa. Ruotandolo nella direzione "LOCK" il mandrino si chiude stringendo così la punta. La rotazione dell'attacco deve proseguire sino a udire uno scatto (Fig.6)

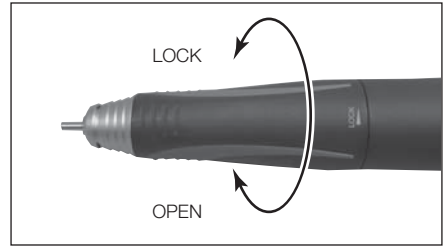


Fig. 6



ATTENZIONE!

- Durante questa operazione il motore deve essere spento.
- Il motore non deve essere posto in rotazione nemmeno quando l'attacco è aperto e non vi è una punta inserita. Sussiste infatti il pericolo di rottura del manipolo, oppure di surriscaldamento.

(2) Pulizia e sostituzione del mandrino

(1) Rimozione del mandrino

Per estrarre il mandrino aprire l'anello e ruotare il mandrino in senso anti-orario con la chiave fornita. (Fig.7)

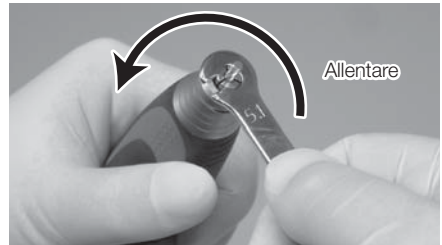


Fig. 7

※ Nel caso in cui si utilizzi una fresa con parte tagliente di grande diametro ad elevato Torque, è possibile ruotare il mandrino in posizione di chiusura. In questo modo la fresa si blocca e non può essere rimossa. In questo caso, allineare la fessura della testina e la parte piatta dell'alberino e fissare l'alberino con una chiave a L. Aprire l'anello e ruotare il mandrino in senso orario con l'apposita chiave fornita per la sostituzione del mandrino (Fig. 8).



Fig. 8

(2) Pulizia del mandrino

Rimuovere e pulire il mandrino il più frequentemente possibile in un pulitore ad ultrasuoni. Pulire almeno una volta a settimana.



ATTENZIONE!

La mancata pulizia del mandrino nel lungo termine è molto pericolosa perché cera, gesso, ecc. si accumulano all'interno del mandrino. Questo può causare uno scorretto aggancio della fresa, provocando fughe o sbilanciamento.

(3) Inserimento del mandrino

Prima d'inserire il mandrino applicare un leggero strato di olio. Aprire l'anello, inserire nel mandrino una fresa di prova o quella già in uso e ruotare a mano il mandrino in senso orario sino a quando si blocca. Chiudere l'anello, in questo modo la fresa verrà trattenuta in modo sicuro (Fig. 9).

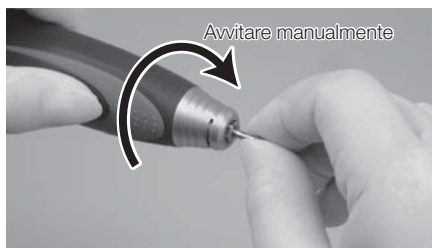


Fig. 9

⚠ ATTENZIONE!

Prima di usare il manipolo tentare di estrarre lo strumento rotante (fresa, ecc) in modo da accertarsi che sia saldamente bloccato.

(3) Collegamento e scollegamento del cordone del motore al motore

Rimuovere il dado del cavo che si trova nella parte posteriore del motore ed estrarre l'attacco del cavo motore. Per collegarli, allineare il perno dell'attacco con il foro dell'attacco del cavo motore ed inserire a fondo l'attacco sino a quando non si ferma. Serrare quindi il dado del cavo. ※ Evitare di torcere l'attacco durante la fase di inserimento.



Fig. 10

(4) Scollegamento del motore dal manipolo

Manipolo e motore sono avvitati nella parte mediana. Per scollegarli impugnare fortemente l'involucro esterno del motore e quello del manipolo e ruotare quest'ultimo in senso antiorario (Fig. 11).



Fig. 11

⚠ AVVERTENZA per il collegamento del manipolo!

Per collegare il manipolo al motore, ruotare quest'ultimo in senso orario e serrare fermamente. Se il mandrino non è agganciato in modo corretto, il manipolo non può essere serrato completamente. In questo caso, NON FORZARE. Allentare il manipolo e ruotare leggermente la fresa per riposizionare il mandrino. Ricollegare il manipolo e serrare a fondo (Fig. 12).

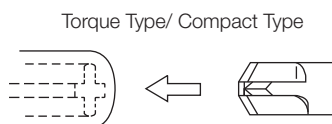


Fig. 12

11. Caratteristiche tecniche

Unità di controllo

Modello	NE230
Alimentazione	AC120V 50-60Hz AC230V 50-60Hz
Potenza nominale	46VA
Peso	3,8kg
Dimensioni	W230x D292x H113mm

Spporto manipolo

Modello	Spporto manipolo
Peso	120g

Manipolo

1) Tipo Torque

Modello	UMXL-T(P) / UMXL-T(P) 2M
Velocità	1.000~40.000 min ⁻¹
Torque Max.	8,7 N · cm
Peso	215g (exclude the code)
Dimensioni	L151x ø 29mm
Lunghezza del cordone	2,0m

2) Tipo Compact

Modello	UMXL-C 2M
Velocità	1.000~40.000 min ⁻¹
Torque Max.	6 N · cm
Peso	181g (exclude the code)
Dimensioni	L144 x ø27mm
Lunghezza del cordone	2,0m

12. Guasti e Soluzioni

Si prega di controllare i seguenti punti prima di restituire l'apparecchio per la riparazione.

(Unità di controllo e motore)

Guasto	Causa/Controllo	Soluzione
La spia luminosa non si accende	La spina è staccata	Inserire la spina correttamente.
	Il fusibile è bruciato	Sostituire il fusibile. Se la causa non è chiara chiedere un controllo.
	L'interruttore principale è rotto	Chiederne la riparazione.
Il motore e/o il manipolo non funzionano o la spia si accende. La spia luminosa si accende quando il pedale è premuto	La spia lampeggia anche se il pedale non è premuto	Se il segnale dal motore non viene trasmesso all'unità vi è un problema. Controllare il cavo del motore per verificare se è danneggiato e collegato correttamente. Se l'attacco è danneggiato o non si riesce a determinare il problema, chiederne la riparazione.
	Il motore del manipolo si mette in moto se il pedale viene premuto più volte	Può esserci un problema nel circuito di sicurezza. Chiedere la riparazione.
	Il motore del manipolo inizia a funzionare non appena si preme pedale	Il problema può essere causato da un eccesso di corrente nel circuito. Fermare il motore per un attimo.

(Unità di controllo e motore)

Guasto		Causa/Controllo	Soluzione
Il motore e/o il manipolo non funzionano o la spia si accende.	La spia si illumina in 5 o 6 secondi dopo aver premuto il pedale	Controllare che la ghiera del mandrino non sia aperta	Posizionare la ghiera del mandrino in posizione CHIUSO.
		Provare a girare la fresa con le dita	Se la fresa non gira, potrebbe danneggiare il motore o il manipolo. Chiederne la riparazione.
	Il motore del manipolo si ferma in caso di sovraccarico	Ritorna normale se si riprova subito dopo	Il circuito di protezione è avviato. Il motore non deve essere usato per attivare il circuito di protezione.
	La spia resta luminosa anche quando l'alimentazione è inserita.	L'unità non è calda al tatto	Avviare di nuovo l'unità dopo aver interrotto l'operazione e averla lasciata raffreddare per circa 10 min. Controllare il funzionamento dell'unità e, se funziona normalmente, non ci sono problemi.
L'unità è calda al tatto		C'è un malfunzionamento nella memoria interna. Chiederne la riparazione.	

(Manipolo)

Guasto	Causa/Controllo	Soluzione
Il manipolo non funziona con il mandrino serrato	Presenza di corpi estranei nei cuscinetti a sfera	Rimandare il manipolo al rivenditore. Chiederne la riparazione
Surriscaldamento durante la rotazione	Presenza di corpi estranei nei cuscinetti a sfera che causano il logoramento dei cuscinetti	Idem come sopra
Vibrazione o rumore durante la rotazione	Idem come sopra	Idem come sopra
	La fresa è curvata	Sostituire la fresa
La fresa è molto decentrata	Accumulo di polvere nel mandrino	Pulire l'interno del mandrino
	Il mandrino è consumato	Sostituire il mandrino
	I cuscinetti a sfera sono consumati	Inviarli al rivenditore
La fresa fuoriesce	Il mandrino è allentato	Regolare il mandrino (vedere paragrafo 10. Manutenzione del motore e del manipolo)

13. Disposizione del prodotto

Contattare il rivenditore per definire la disposizione del prodotto.

NAKANISHI INC. 

700 Shimohinata, Kanuma, Tochigi 322-8666, Japan

www.nsk-inc.com

NSK Europe GmbH 

Ely-Beinhorn-Strasse 8
65760 Eschborn
Germany

NSK America Corp

1800 Global Parkway
Hoffman Estates, IL 60192
USA

NSK France SAS

32 rue de Lisbonne
75008 Paris
France

NSK America Latina Ltda

Rua Blumenau, 735 - Sala 02
América, Joinville, SC 89204-251
Brazil

NSK United Kingdom Ltd

Office 5, Gateway 1000
Arlington Business Park, Whittle Way
Stevenage, SG1 2FP, UK

NSK Oceania Pty Ltd

Unit 12/809-821 Botany Road
Rosebery, NSW 2018
Australia

NSK Dental Spain SA

C/ Modena, 43 El Soho-Európolis
28232 Las Rozas, Madrid
Spain

NSK Asia

9 Tampines Grande
#03-15, 528735
Singapore

NSK Middle East

Room 6EA701, 7th Floor, East Wing No.6
Dubai Airport Free Zone
PO Box 54316, Dubai, UAE

Specifications are subject to change without notice.

2017.03.01 005 